














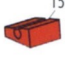



Bauanleitung
Assembly instruction
Instructions de montage
Bouwhandleiding
Instrucciones de construcción





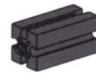




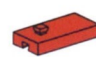







Manual de montagem
Istruzioni di montaggio
Инструкция по сборке
安装说明书

BAUBOT

Einzelteilübersicht
Spare parts list
Liste des pièces détachées

	19 318 1 x
	31 010 12 x
	31 011 6 x
	31 019 1 x
	31 021 2 x
	31 023 4 x
	31 057 2 x
	31 058 5 x
	31 060 6 x
	31 061 3 x
	31 124 1 x
	31 597 14 x
	31 771 9 x
	31 848 20 x
	31 918 2 x
	31 981 4 x
	31 982 44 x

Onderdelenoverzicht
Lista da piezas
Resumo de peça individual

	32 064 4 x
	32 321 5 x
	32 330 4 x
	32 870 13 x
	32 879 19 x
	32 880 2 x
	32 881 19 x
	32 882 1 x
	35 031 2 x
	35 049 10 x
	35 063 4 x
	35 064 2 x
	35 073 11 x
	35 129 1 x
	35 797 2 x
	35 945 1 x
	35 969 3 x

Singoli componenti
Перечень деталей
零件概览

	35 973 4 x
	35 977 4 x
	36 132 4 x
	36 147 1 x
	36 227 1 x
	36 323 2 x
	36 334 13 x
	36 573 4 x
	36 574 1 x
	36 593 1 x
	36 819 12 x
	36 911 7 x
	36 913 1 x
	36 920 10 x
	36 921 4 x
	36 922 6 x
	36 923 3 x

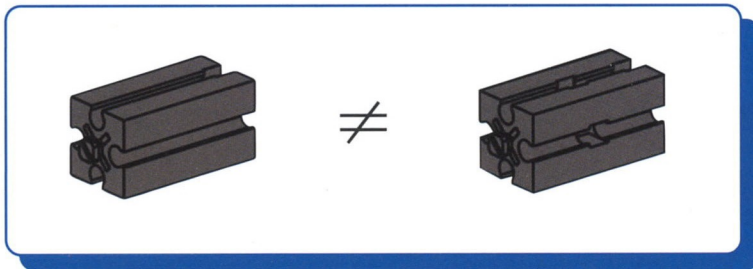
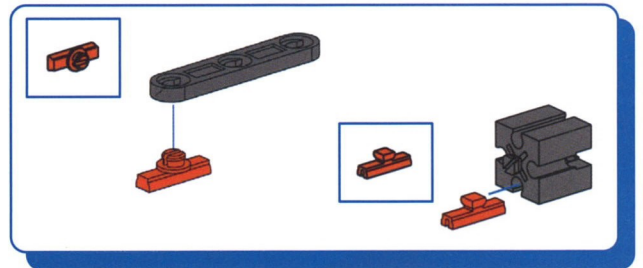
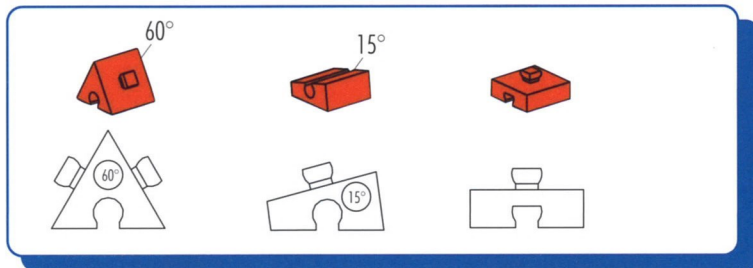
	36 950 2 x
	36 952 5 x
	37 237 23 x
	37 238 10 x
	37 468 17 x
	37 636 2 x
	37 679 6 x
	38 241 6 x
	38 246 1 x
	38 258 17 x
	38 260 2 x
	38 261 2 x
	38 413 4 x
	38 423 4 x
	38 543 2 x
	68 535 4 x
	78 728 6 x

	107 356 2 x		127 472 12 x		154 594 9 x		176 666 1 x
	116 251 10 x		130 593 2 x		163 201 8 x		176 779 2 x
	116 252 4 x		133 008 3 x		172 804 4 x		194 987 1 x
	127 471 6 x		139 645 2 x		172 805 4 x		194 988 2 x

Montagetipps
Tips for assembly
Tuyaux pour le montage

Montagetipps
Consejos para el montaje
"Dicas" para montagem

Consigli per il montaggio
Советы по сборке
装配建议

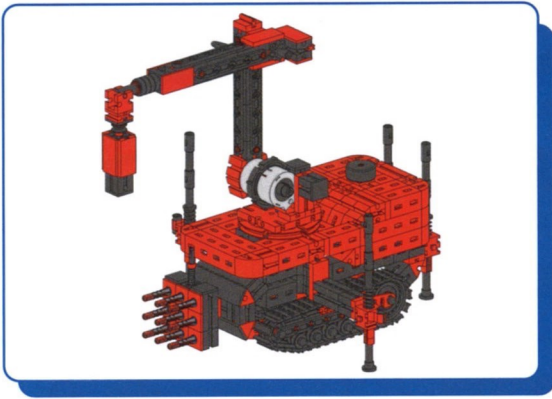


- Alle Einzelteile, insbesondere bewegliche Teile, sind falls notwendig zu warten und zu reinigen.
- All components, especially moving parts, should be maintained and cleaned as necessary.
- Toutes les pièces détachées et en particulier les pièces mobiles, sont, si nécessaire, à entretenir et à nettoyer.
- Alle onderdelen, vooral de bewegende delen, kunnen, indien noodzakelijk, onderhouden en gereinigd worden.
- Es necesario limpiar y mantener en buen estado todas las diferentes piezas - especialmente las piezas móviles.
- Caso necessário, todas as peças individuais, especialmente peças móveis, tem que ser submetidas à manutenção e ser limpas.
- Se necessario, tutti i singoli componenti, soprattutto le parti mobili, si devono eventualmente sottoporre a manutenzione e pulizia.
- Все детали, особенно подвижные, требуют ухода и чистки.
- 必要时应保养和清洁所有零件，尤指运动部件。

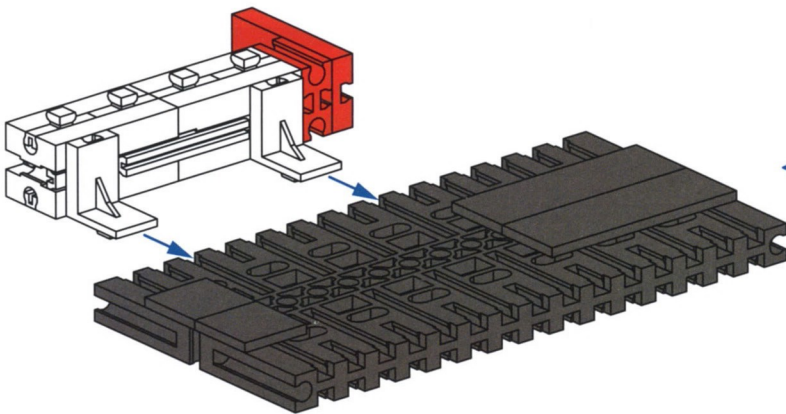
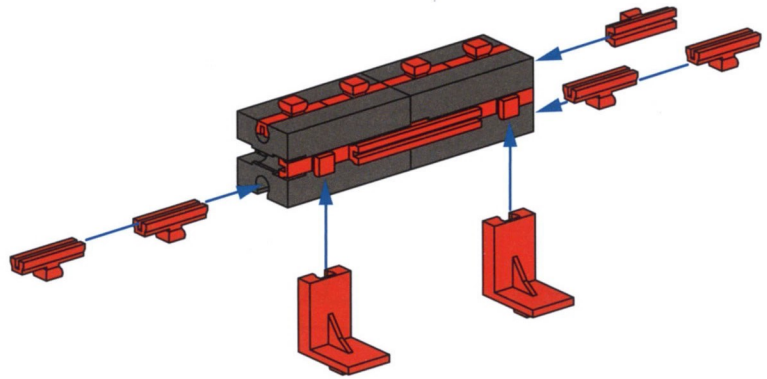
 Hinweise zum Umweltschutz / Instructions for Environmental Protection / Remarques de protection de l'environnement / Bescherming van het milieu / Notas con respecto a la protección del medio ambiente / Instruções para a proteção do meio ambiente / Indicazioni sulla tutela ambientale / Указания по охране окружающей среды / 有关环保的提示 :

www.fischertechnik.de/environment

Baubot

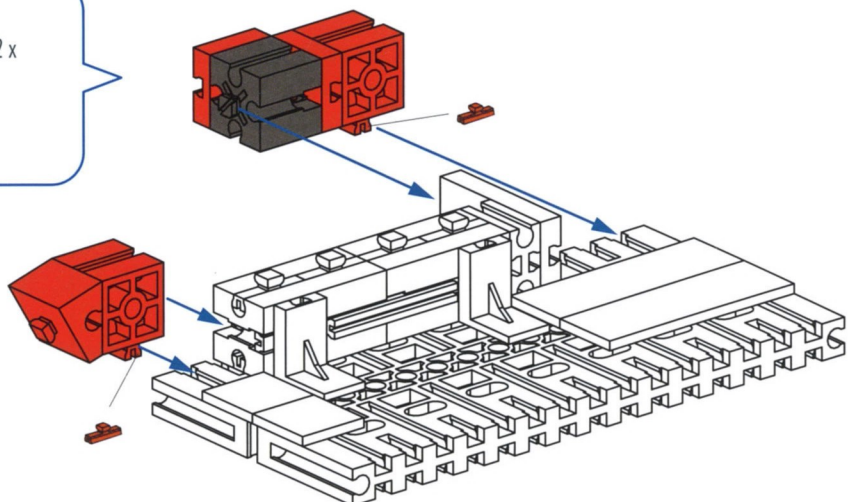
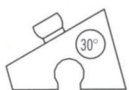


1 2x 11x 30 1x 2x

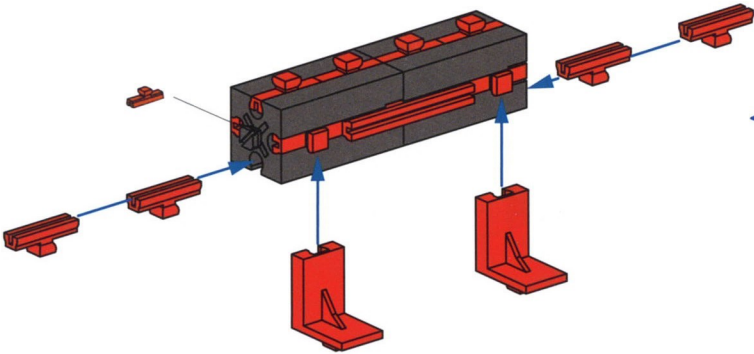
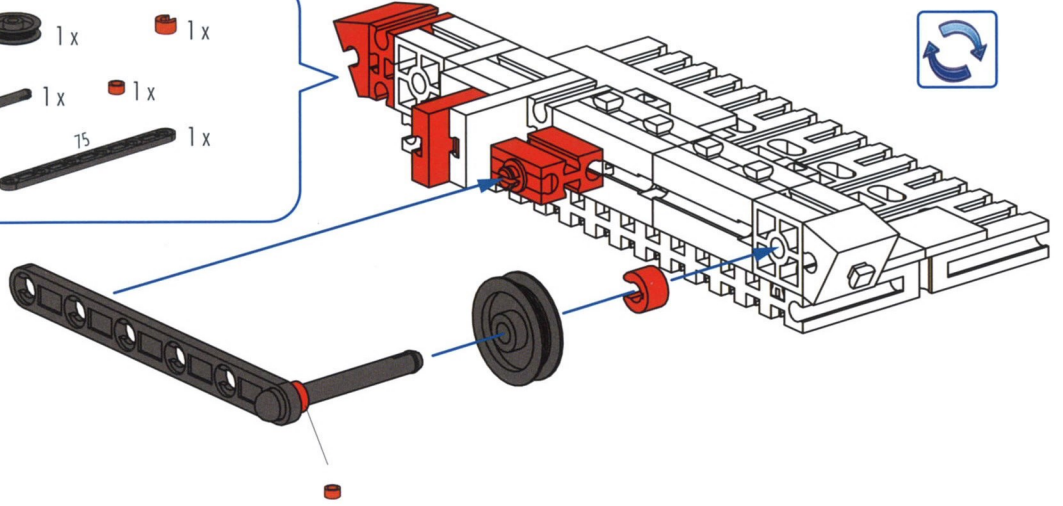
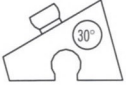


2 1x 2x 2x 1x 2x 1x

3 1x 2x 2x 1x 2x

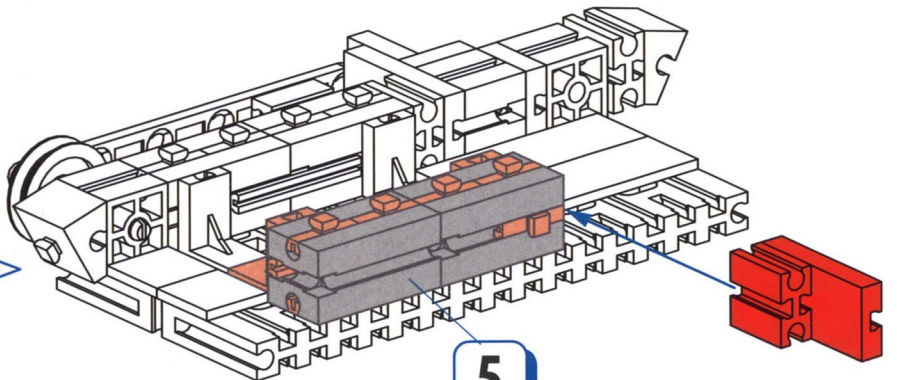


- 4**
- 2x (Red 1x2 Technic Bricks)
 - 1x (Red 1x2 Technic Brick with Hole)
 - 1x (Black Technic Wheel)
 - 1x (Red Technic Pin)
 - 1x (Red 30° Technic Bumper)
 - 1x (Red 1x2 Technic Brick with Hole)
 - 1x (Black Technic Pin)
 - 1x (Red Technic Pin)
 - 1x (Black Technic Pin)



- 5**
- 2x (Grey Technic Bricks)
 - 1x (Red 30 Technic Brick)
 - 11x (Red Technic Pins)
 - 2x (Red Technic Bumpers)

- 6**
- 1x (Red 1x2 Technic Brick)
 - 1x (Red 1x2 Technic Brick with Hole)

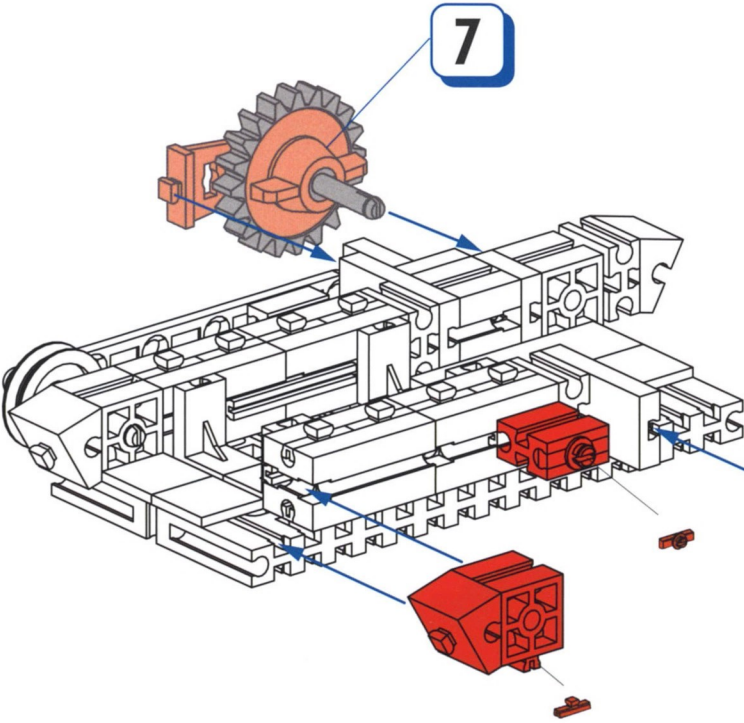
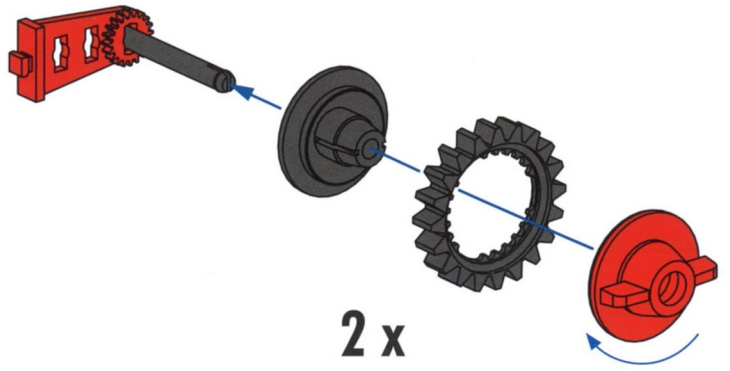


5



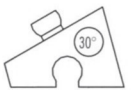
7

- Red Technic Axle Connector 2x
- Black Technic Pin 2x
- Black Technic Pin 2x
- Black Technic Gear 2x
- Red Technic Gear 2x



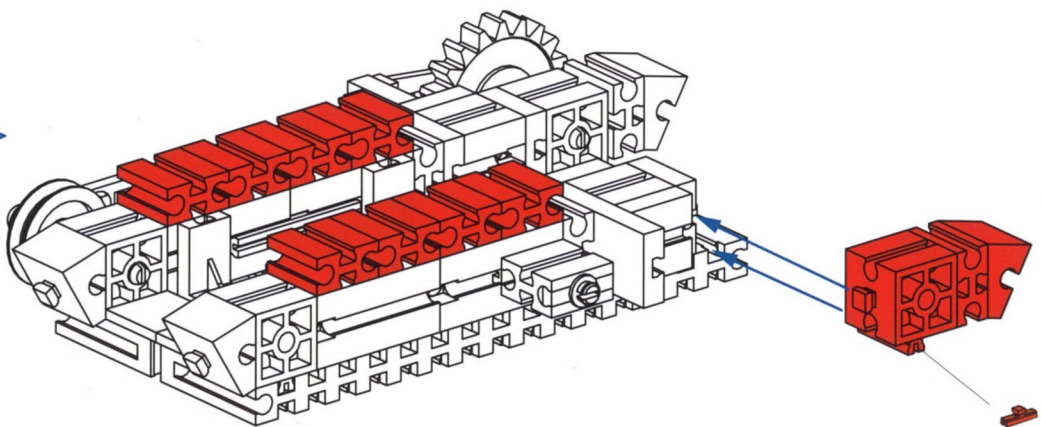
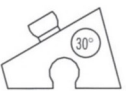
8

- Black Technic Pin 1x
- Red Technic Pin 1x
- Red Technic Pin 1x
- Red Technic Pin 2x
- Red Technic Pin 1x
- Red Technic Pin 1x
- Red Technic Pin 30° 1x



9

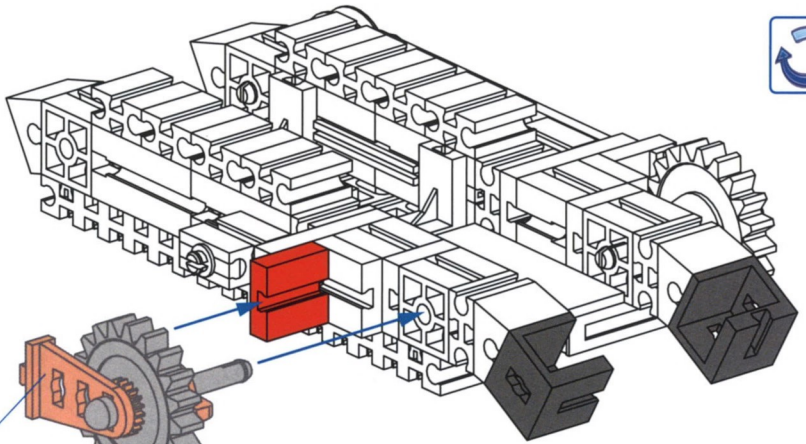
- Red Technic Pin 9x
- Red Technic Pin 1x
- Red Technic Pin 30° 1x
- Red Technic Pin 1x



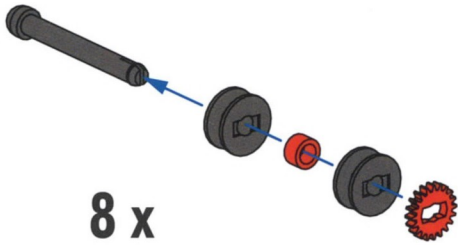


10

- 1x
- 2x

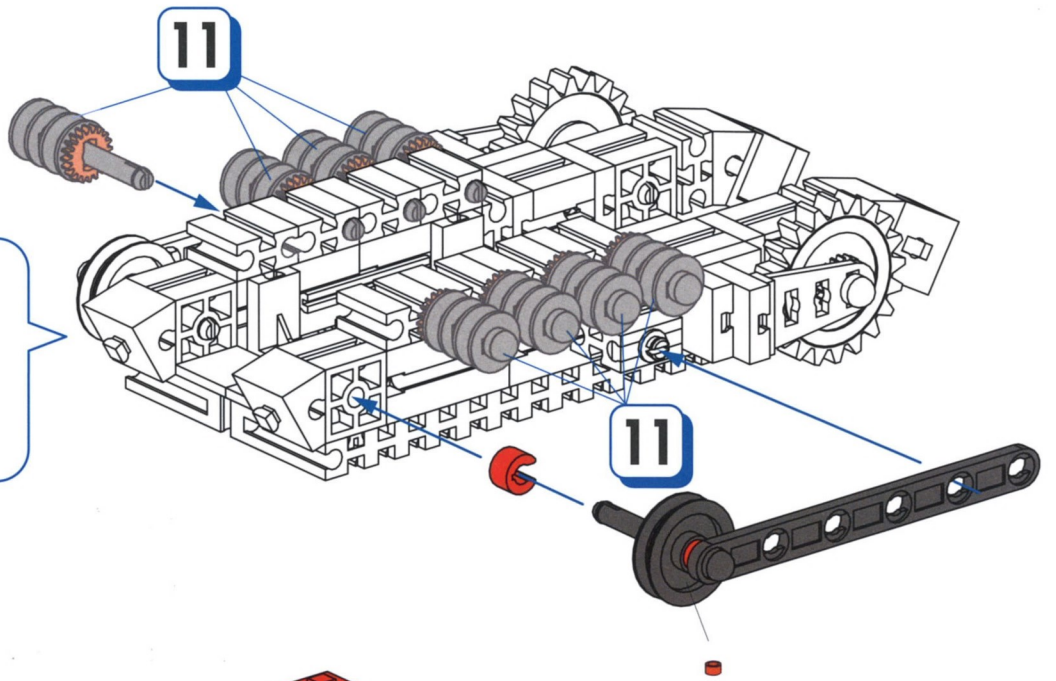


7



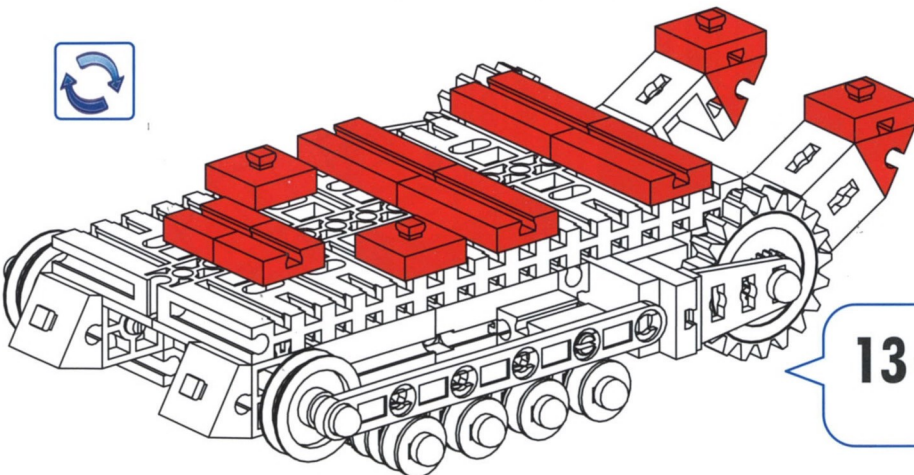
11

- 8x
- 16x
- 8x
- 8x



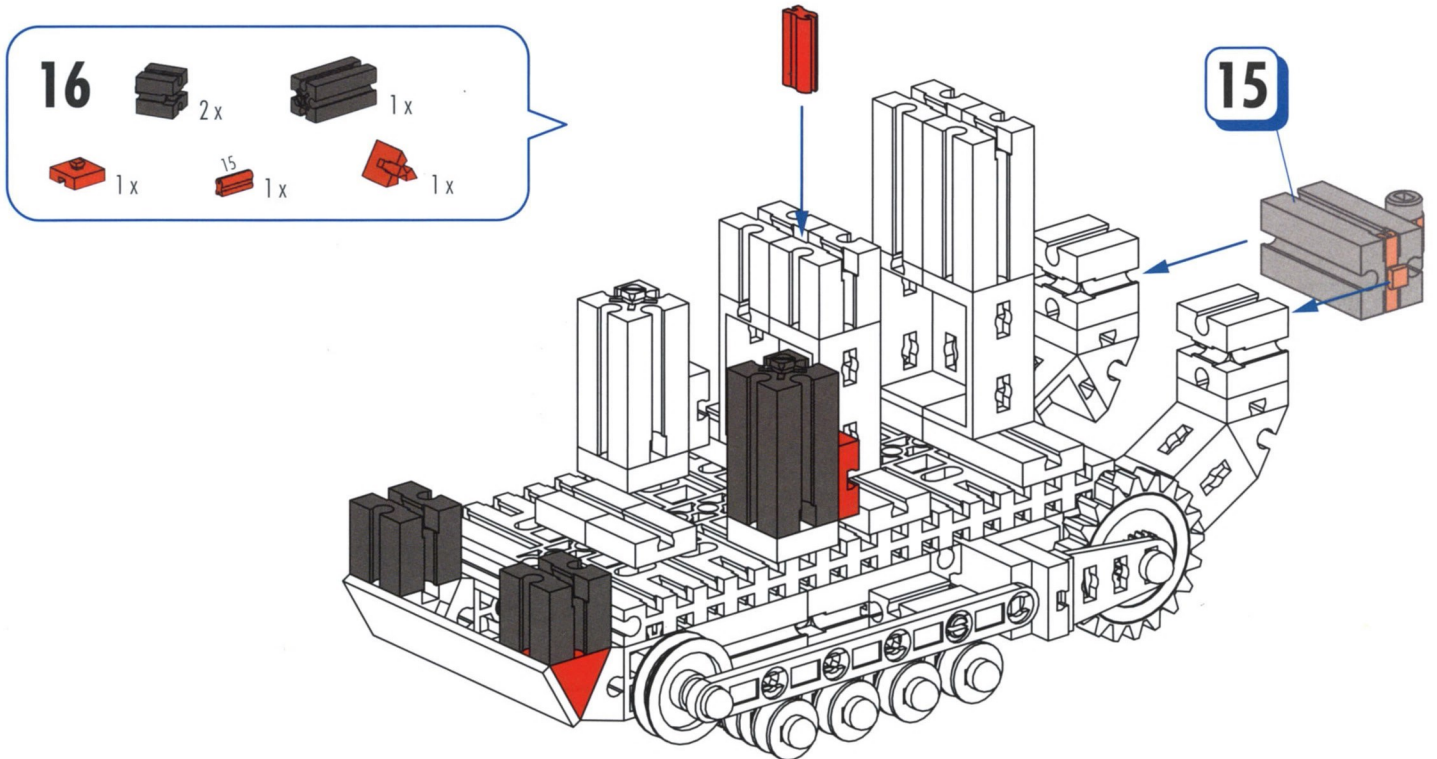
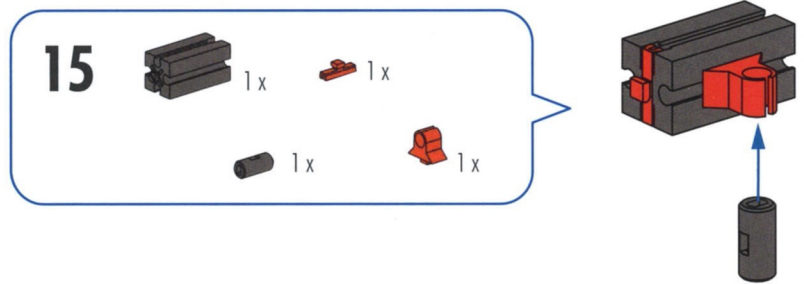
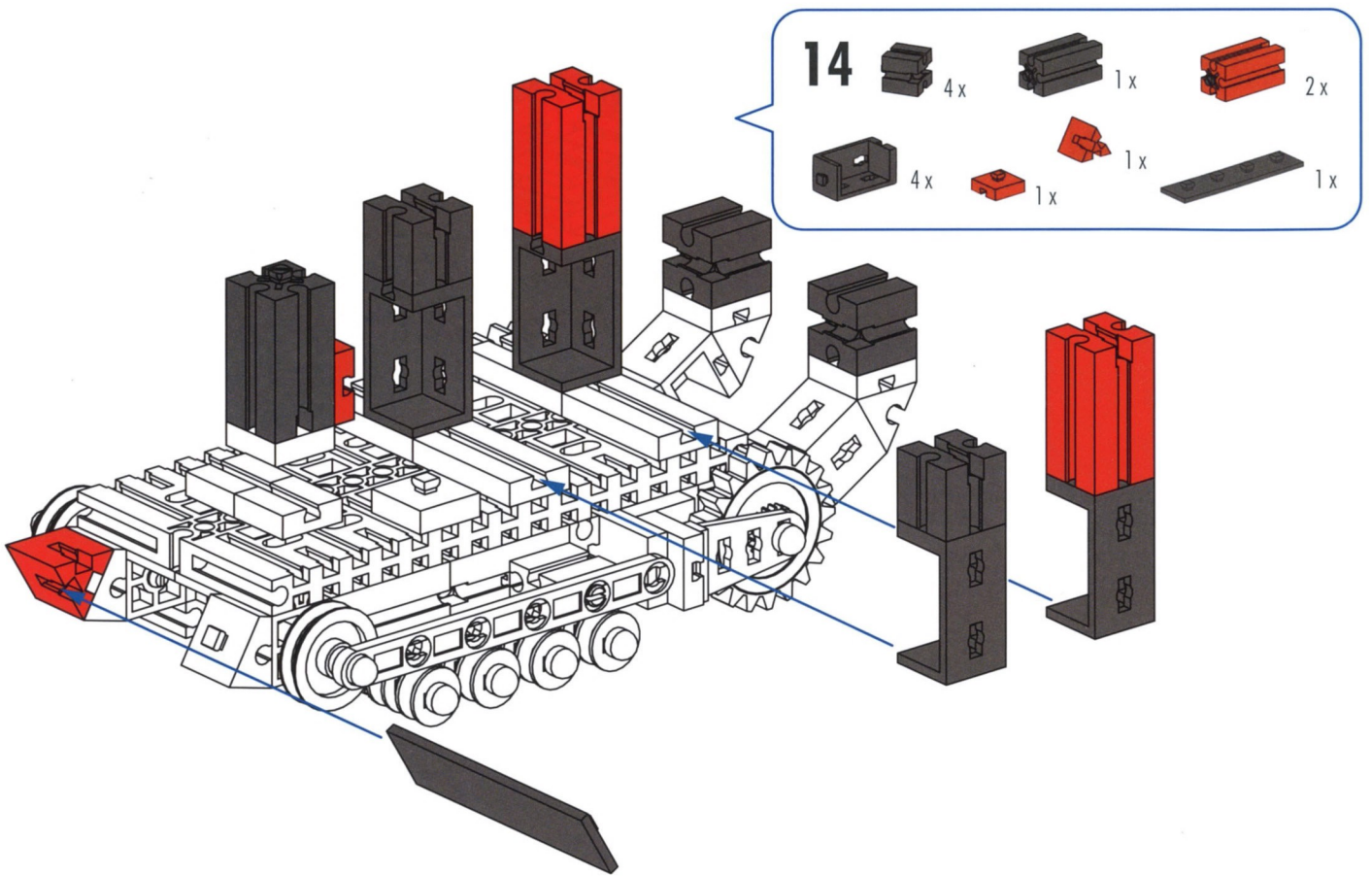
12

- 1x
- 1x
- 1x
- 1x
- 1x



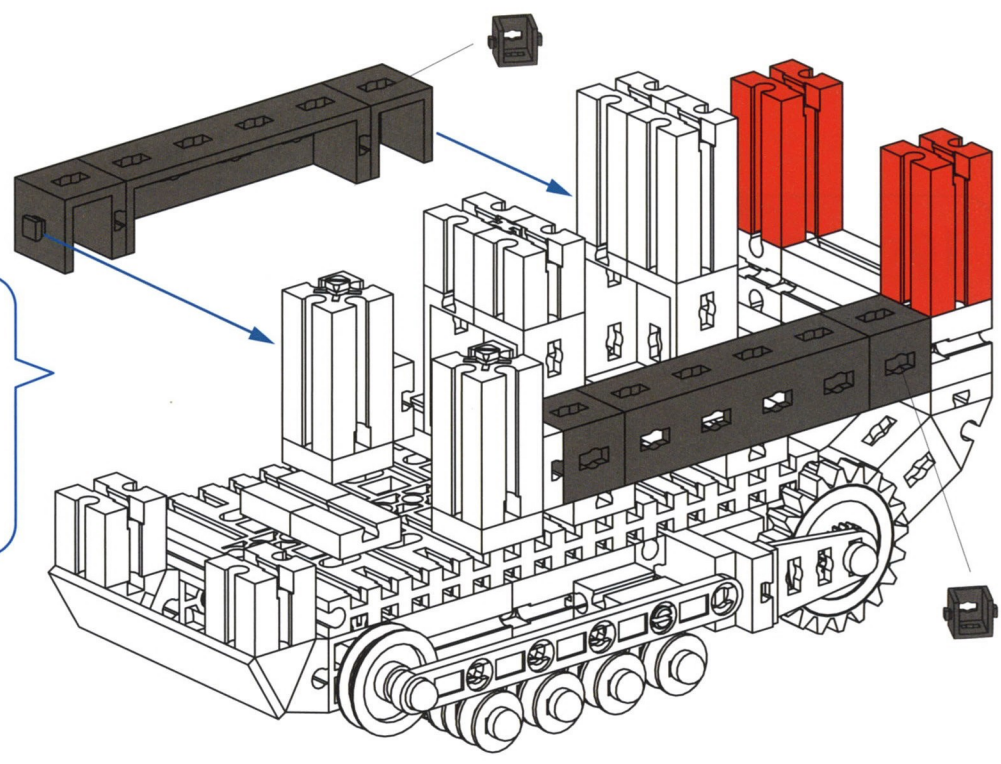
13

- 4x
- 2x
- 4x
- 2x



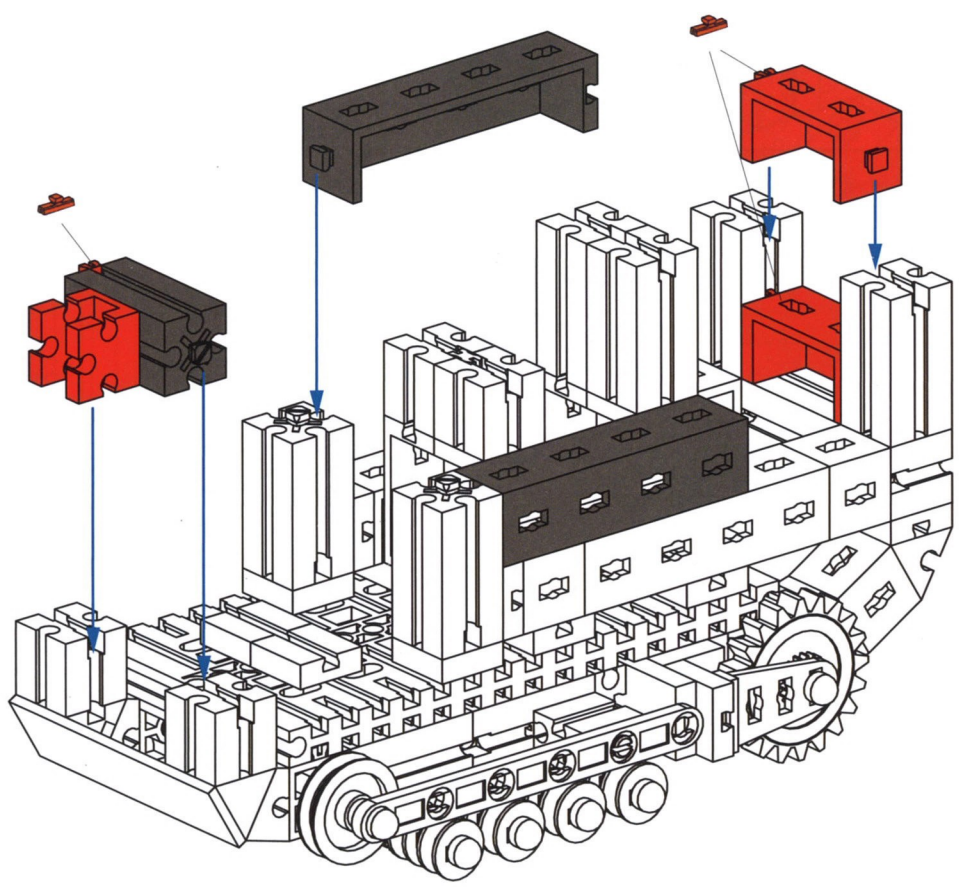
17

- 2 x Red 1x3 Technic Brick with Grooves
- 2 x Black 1x5 Technic Beam with Grooves
- 2 x Black 1x2 Technic Pin with Friction Ridge
- 2 x Black 1x2 Technic Pin with Friction Ridge



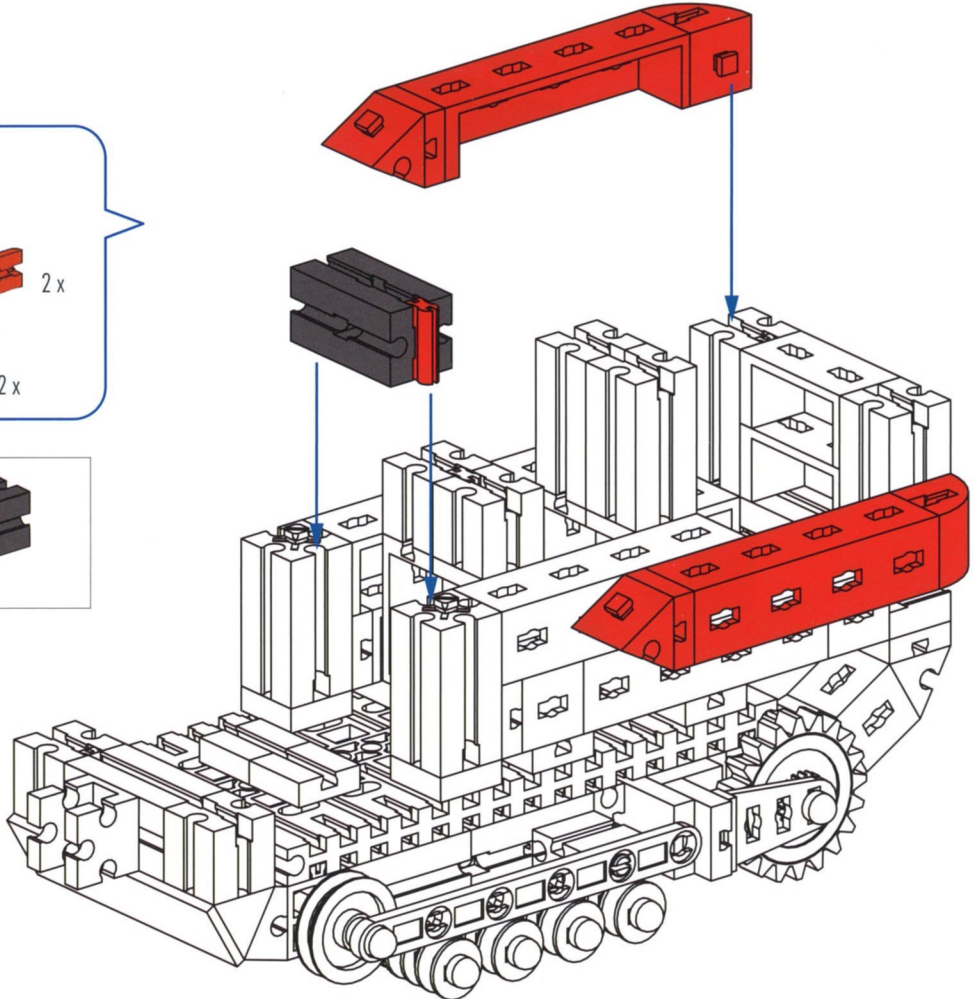
18

- 2 x Red 1x3 Technic Brick with Grooves
- 2 x Black 1x5 Technic Beam with Grooves
- 1 x Black 1x2 Technic Pin with Friction Ridge
- 3 x Red 1x2 Technic Pin with Friction Ridge
- 1 x Red 1x3 Technic Brick with Grooves



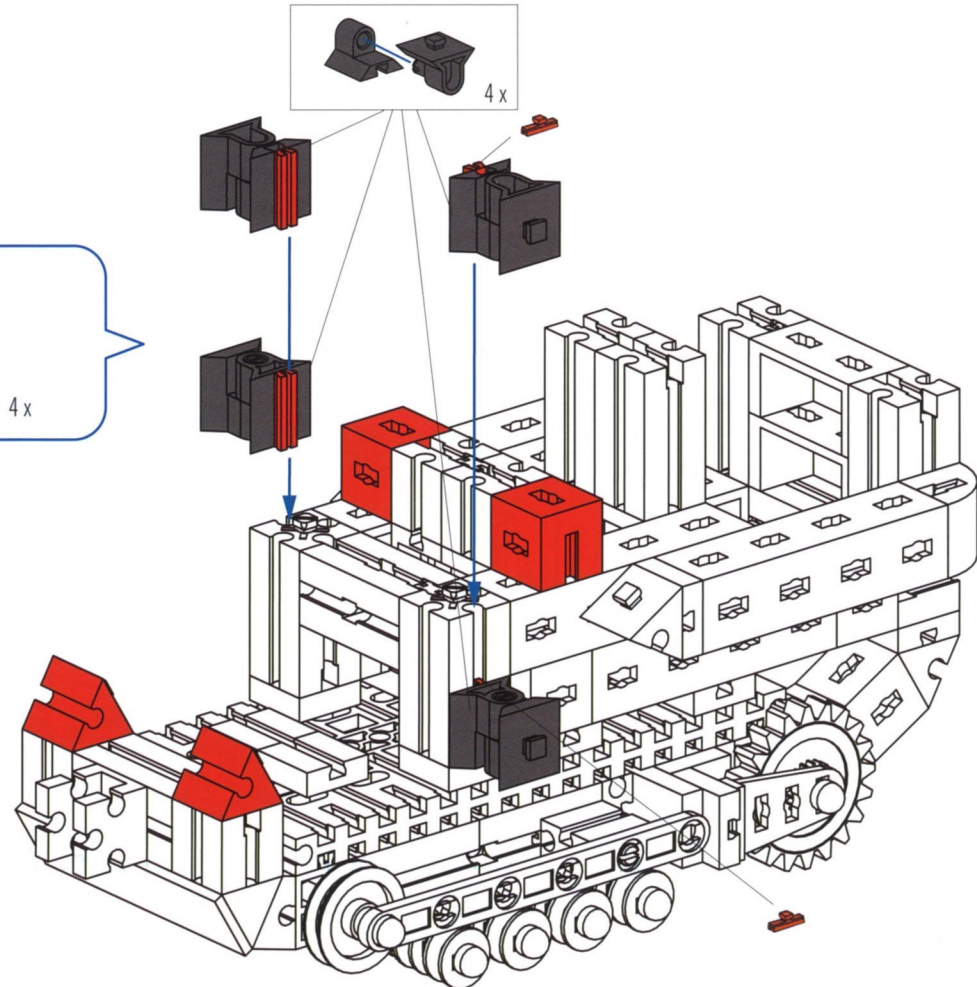
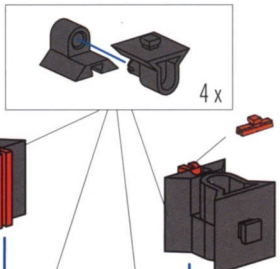
19

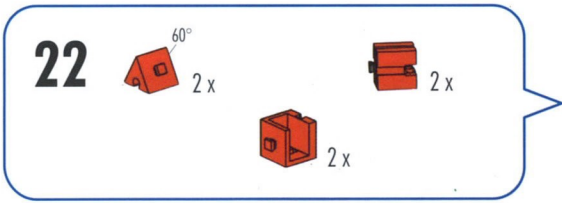
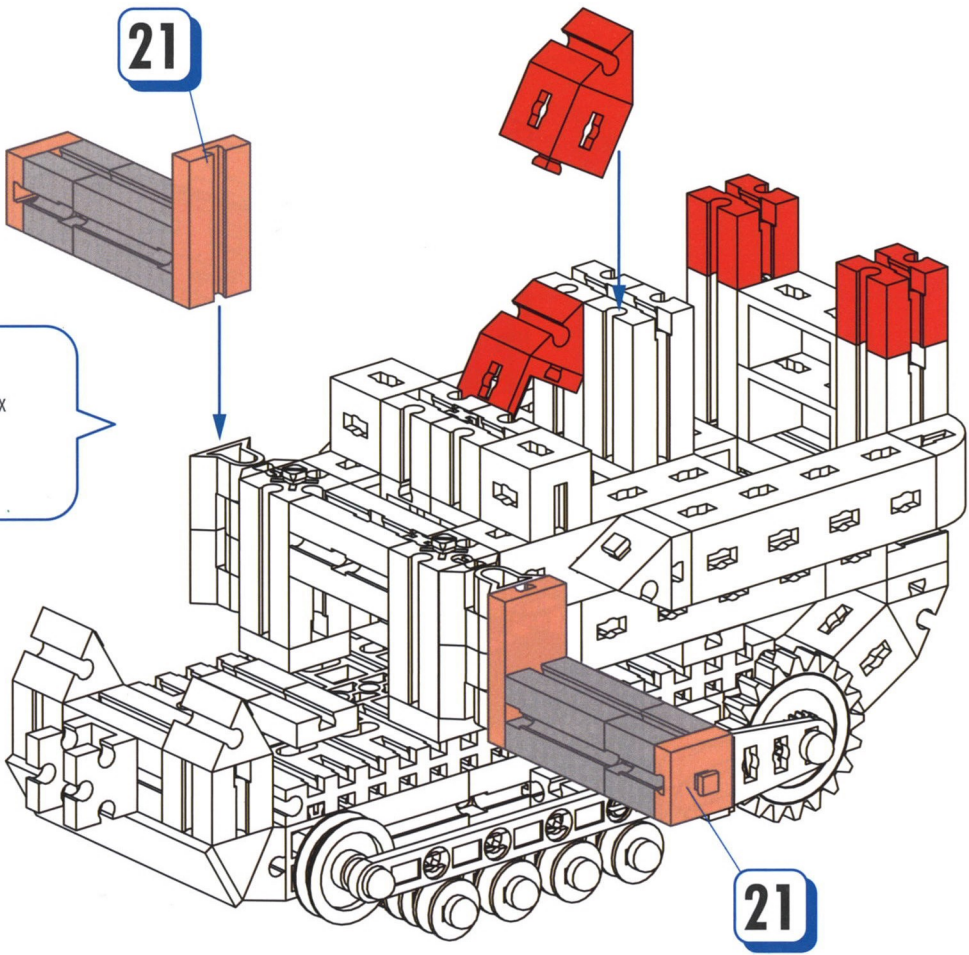
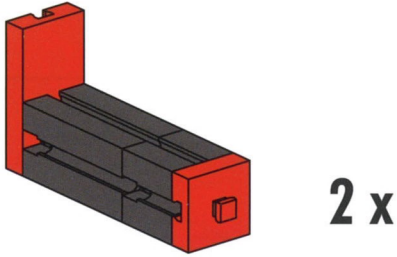
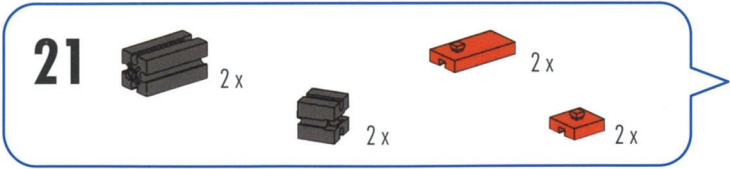
- 1x [Black 1x3 Technic Pin]
- 1x [Red 1x3 Technic Pin]
- 2x [Red 1x2 Technic Pin]
- 2x [Red 1x3 Technic Pin]
- 2x [Red 1x2 Technic Pin]
- 2x [Red 60° Technic Pin]



20

- 2x [Red 60° Technic Pin]
- 2x [Red 1x2 Technic Pin]
- 4x [Red 1x2 Technic Pin]
- 4x [Black 1x2 Technic Pin]
- 4x [Black 1x2 Technic Pin]





23



2x



2x



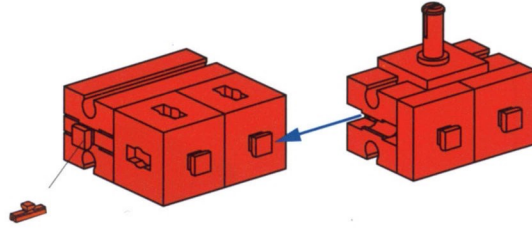
1x



2x



1x



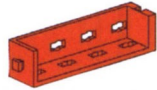
24



2x



2x



2x



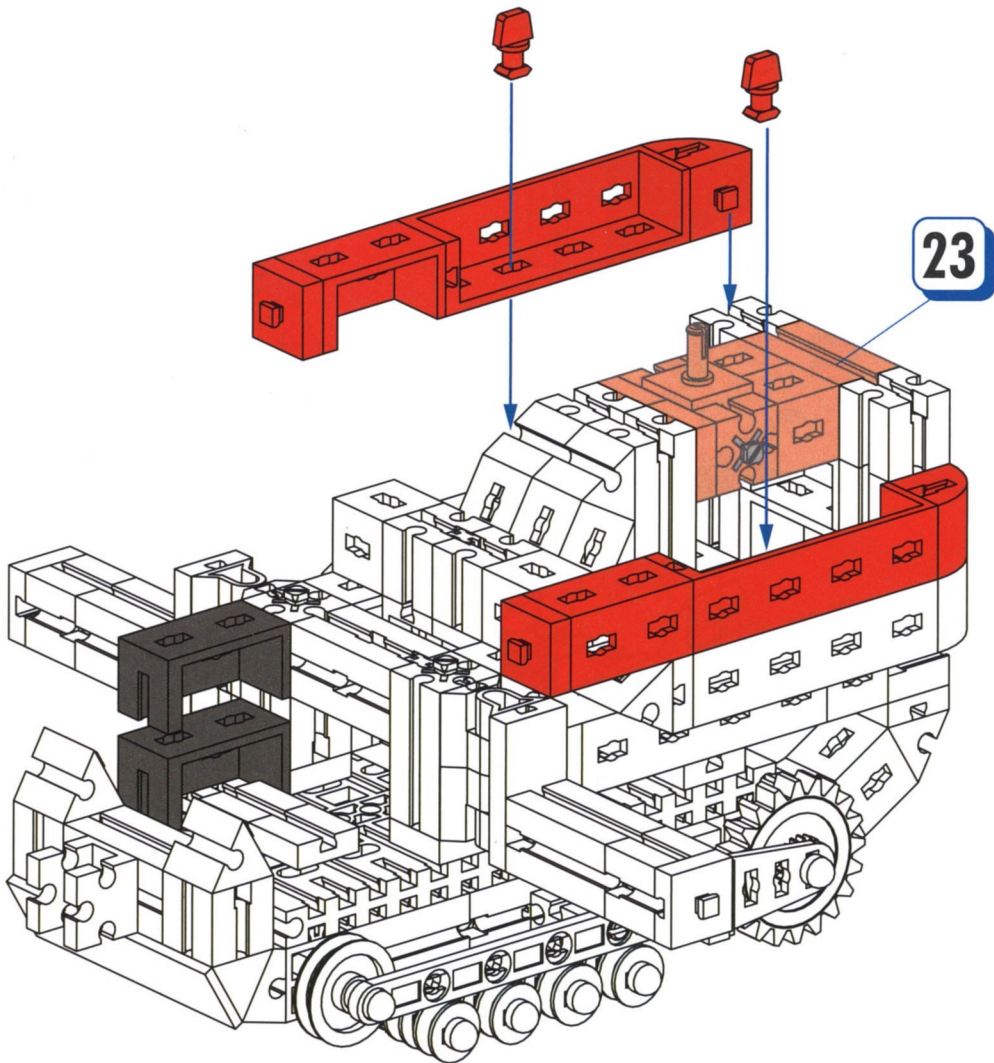
2x



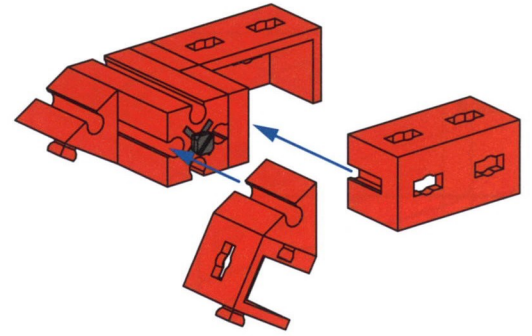
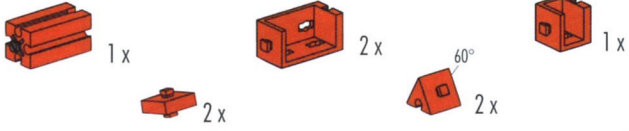
2x



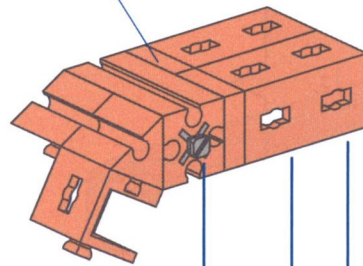
2x



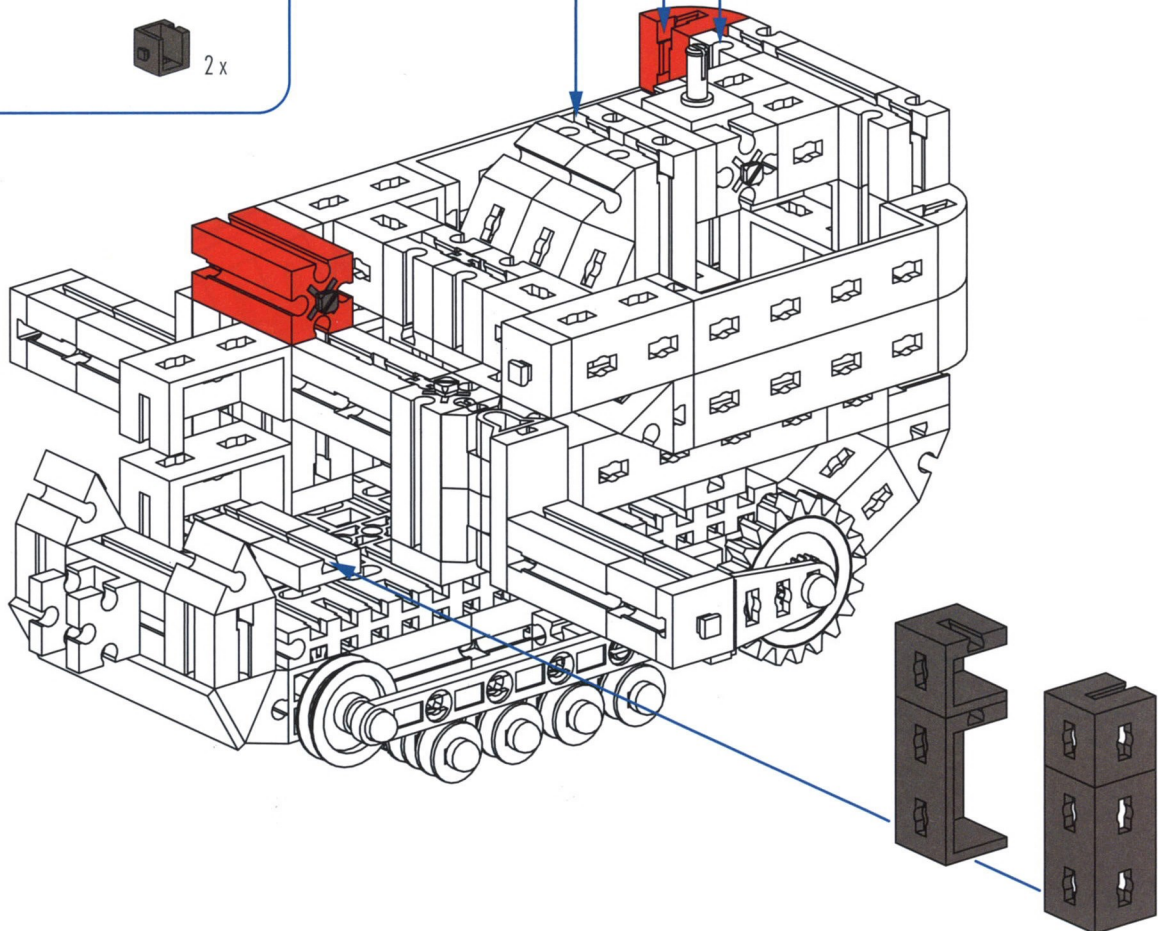
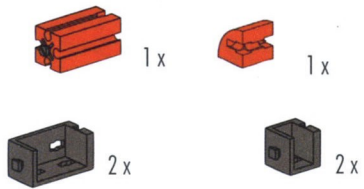
25



25

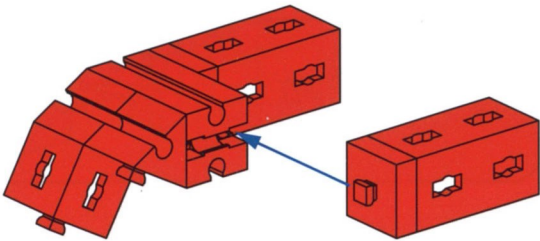


26



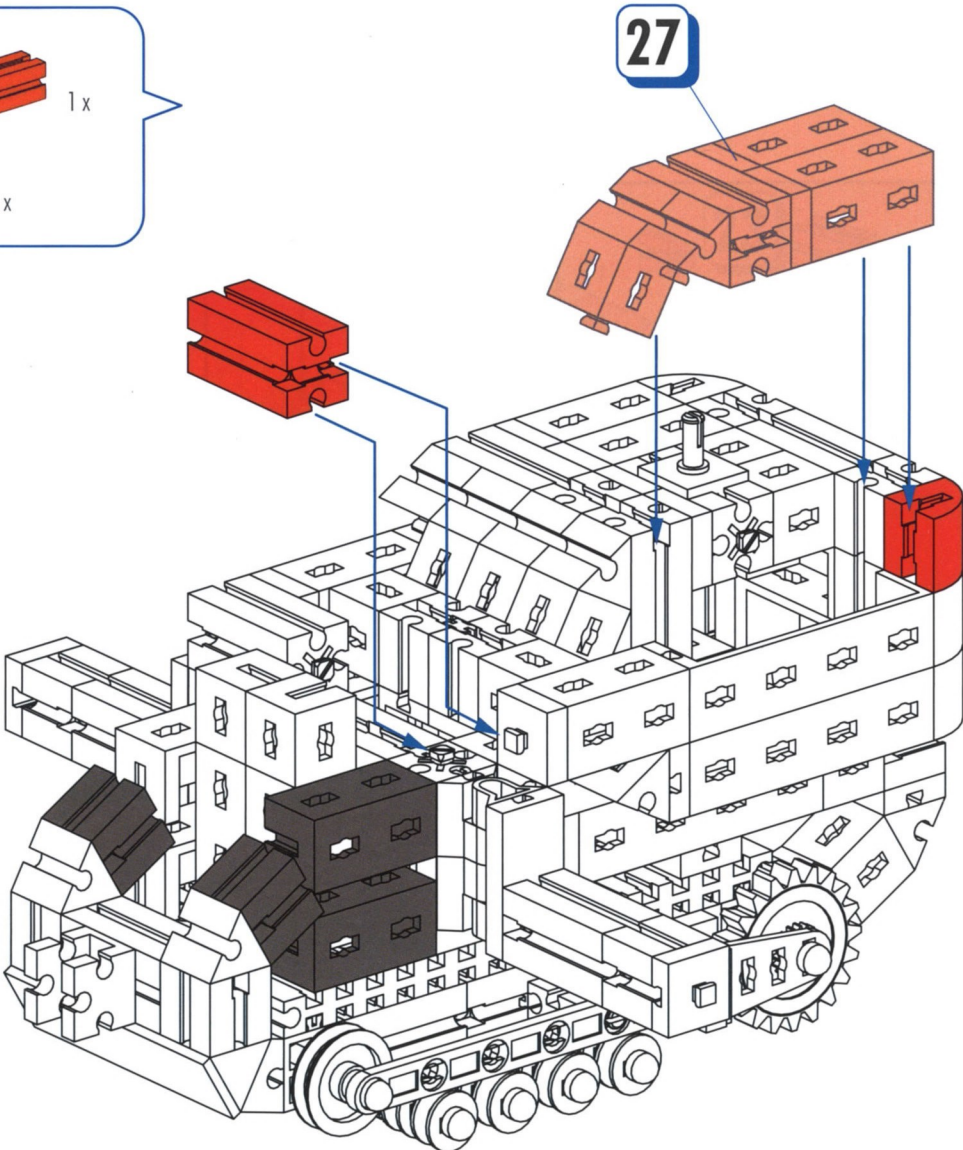
27

- 1 x [Red 1x3 Technic Beam]
- 2 x [Red 1x3 Technic Beam with Hole]
- 2 x [Red 1x2 Technic Beam]
- 2 x [Red 60° Technic Wedge]
- 1 x [Red 1x2 Technic Beam with Hole]



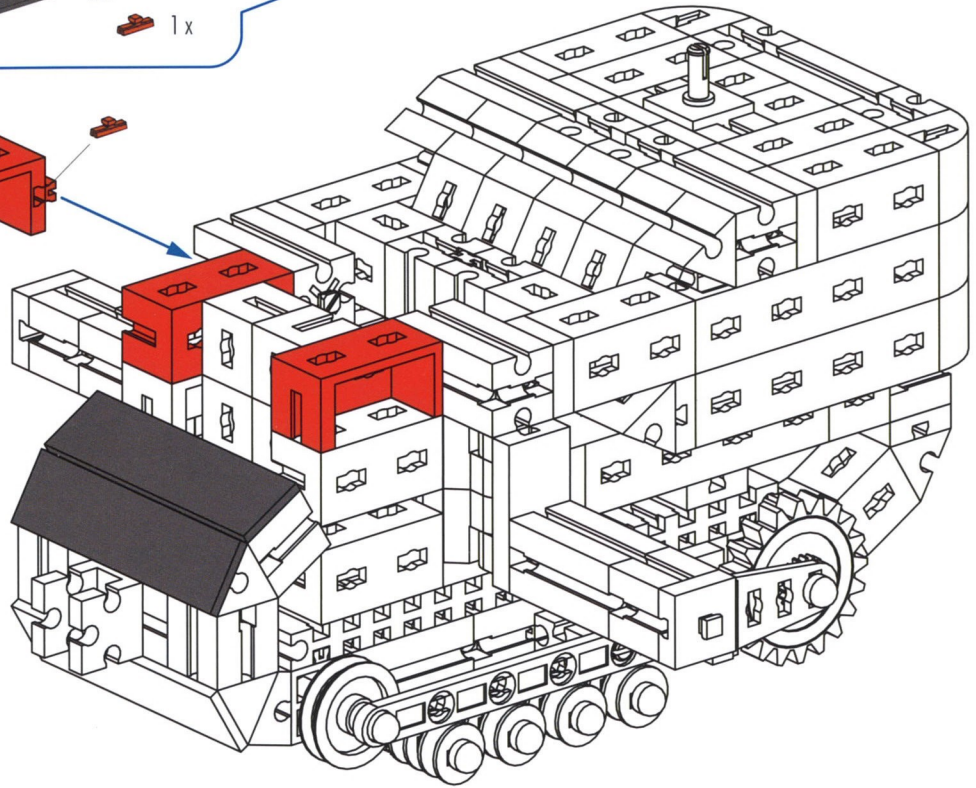
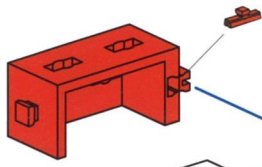
28

- 2 x [Black 1x3 Technic Beam]
- 1 x [Red 1x3 Technic Beam]
- 2 x [Black 1x2 Technic Beam]
- 1 x [Red 1x2 Technic Beam]



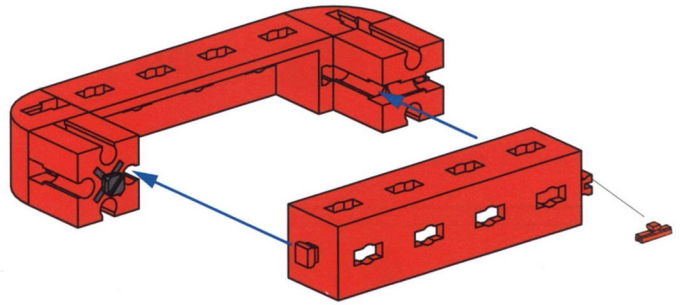
29

3x 2x 1x

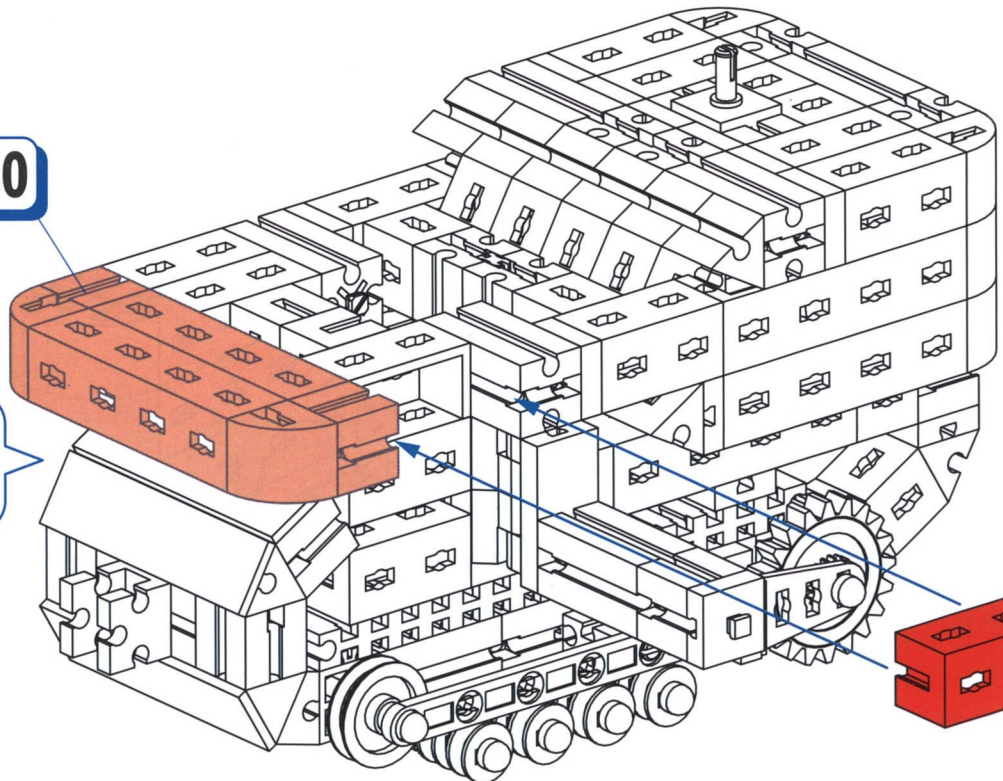


30

2x 2x 2x 1x 2x

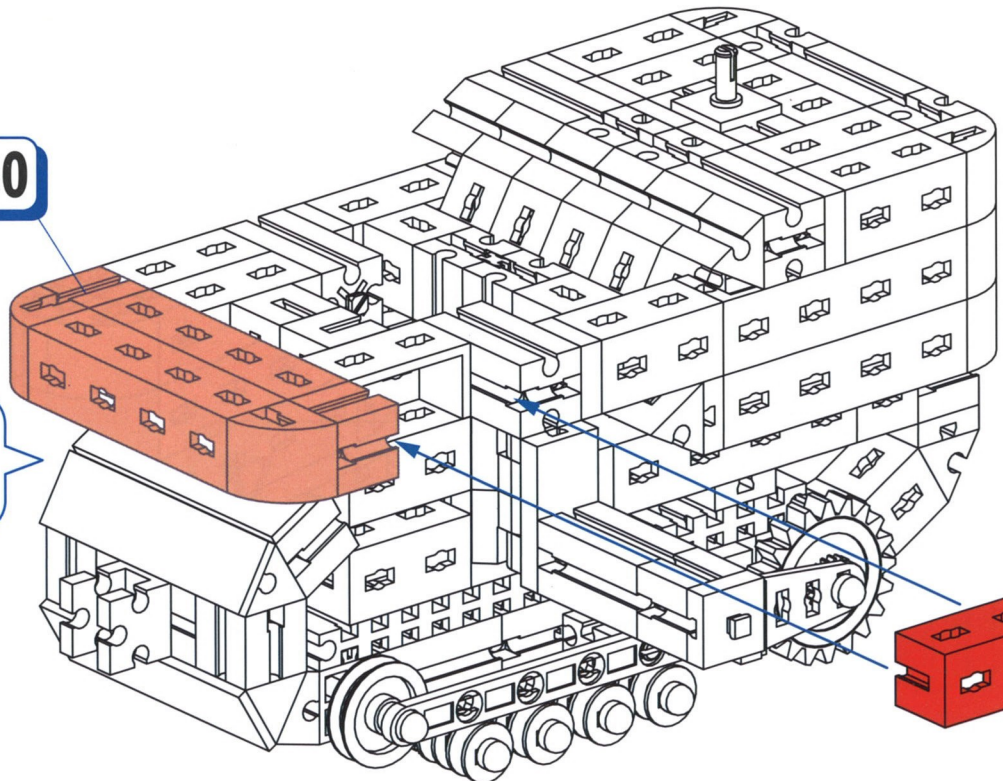
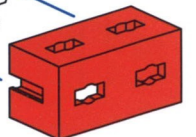


30



31

1x



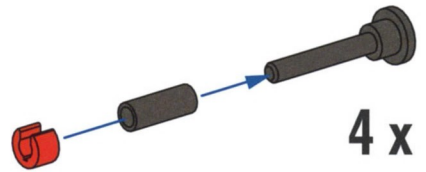
32

30 4x

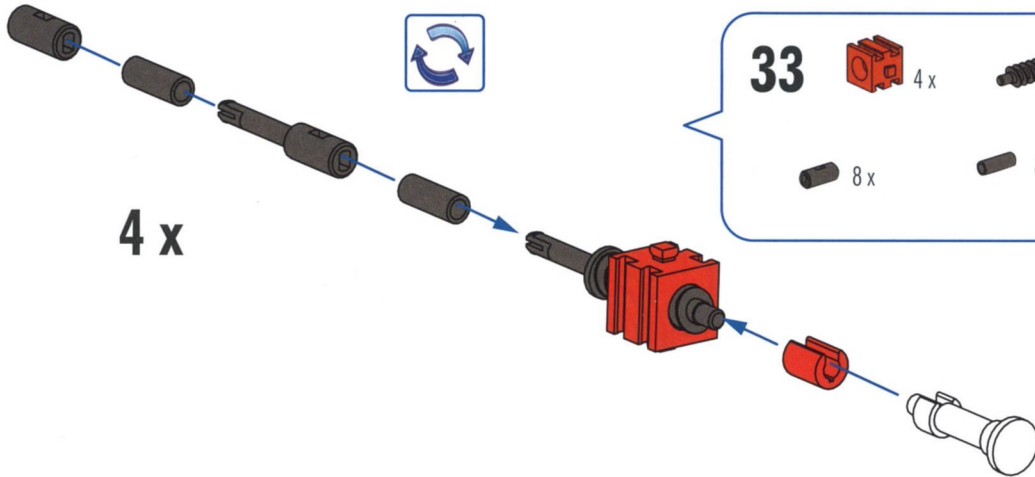
4x

4x

4x



30 mm



33

4x

4x

4x

8x

8x

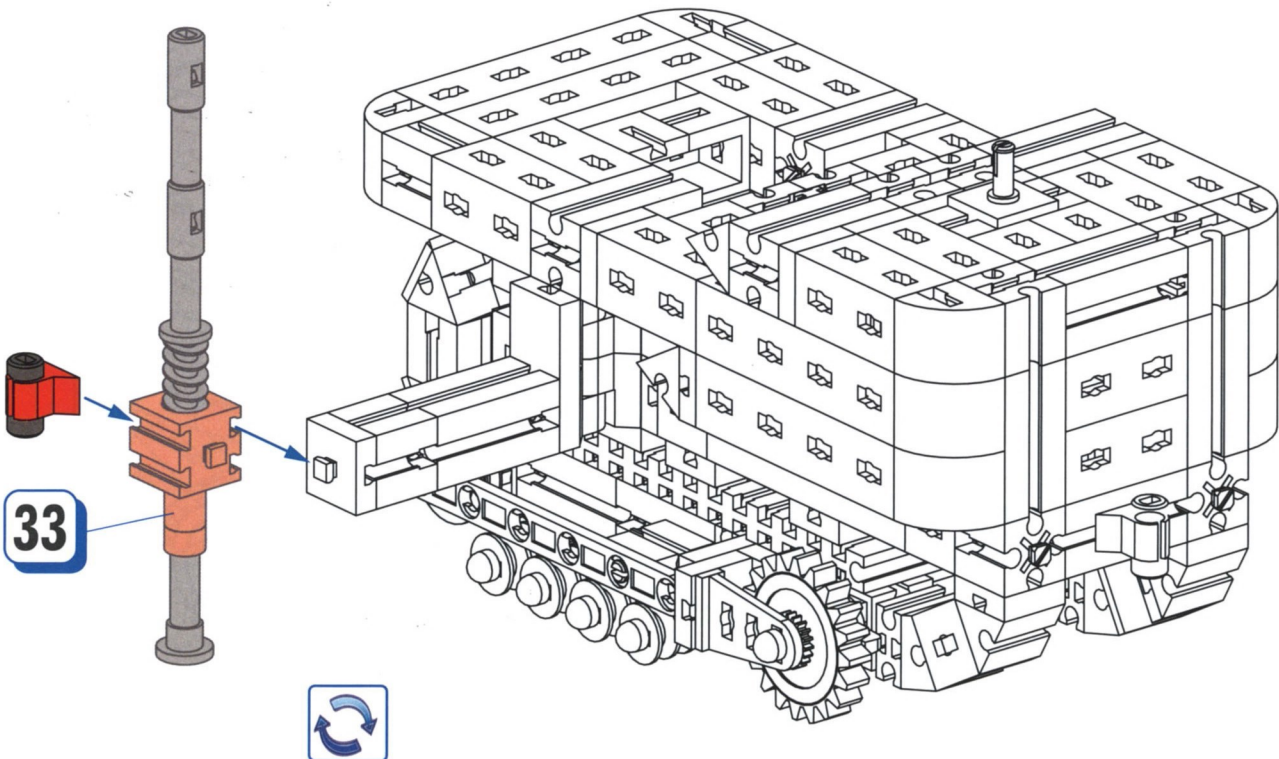
30 4x




30 mm

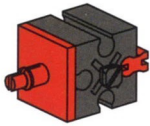
34


1x

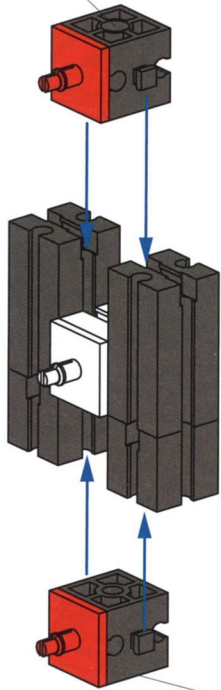
1x








35  1x  1x  1x








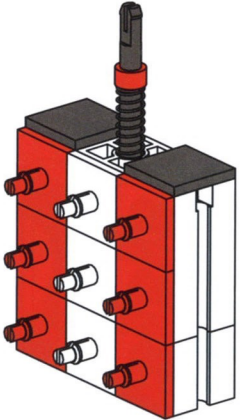
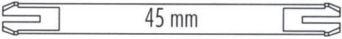

 Große Bohrung
 Large drilling
 Alésage large
 Grote boring
 Perforación grande
 Orificio grande
 Grande foro
 Большое отверстие
 大孔



36  2x  2x
 2x  2x


 Große Bohrung
 Large drilling
 Alésage large
 Grote boring
 Perforación grande
 Orificio grande
 Grande foro
 Большое отверстие
 大孔

37  6x  1x  1x
 1x  2x





38



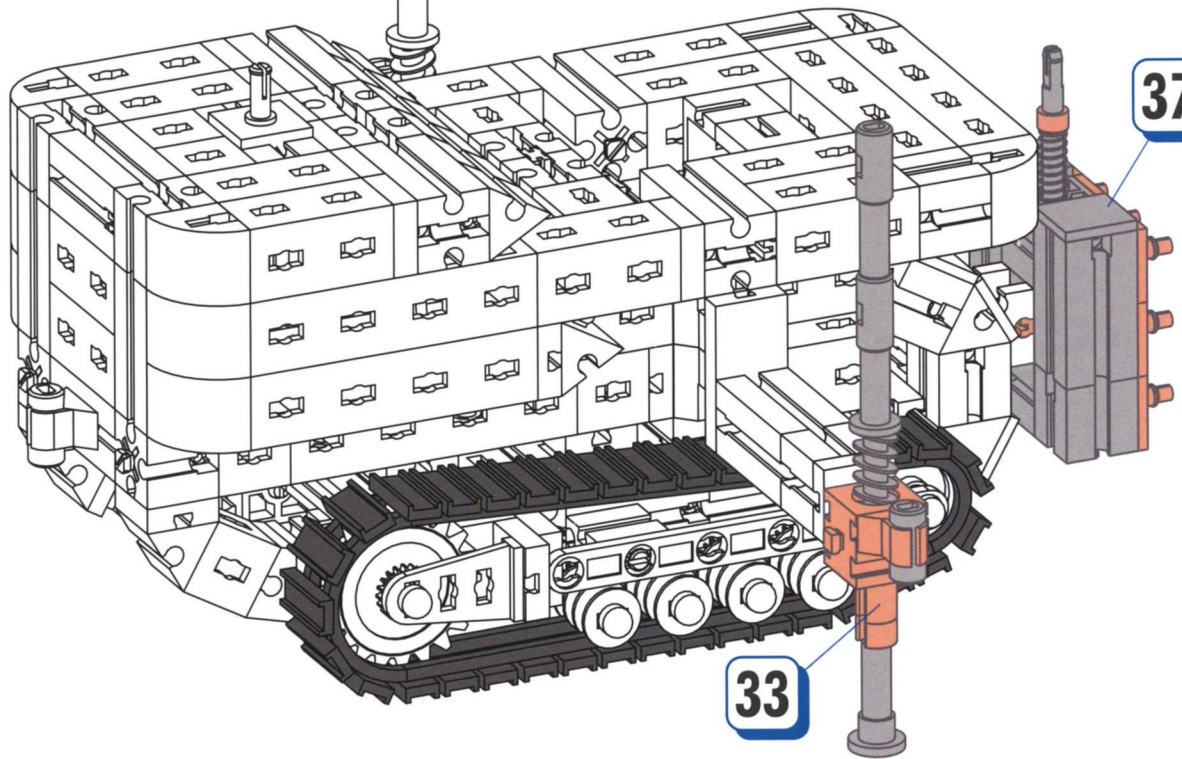
1x



1x



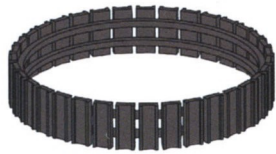
1x



37

33

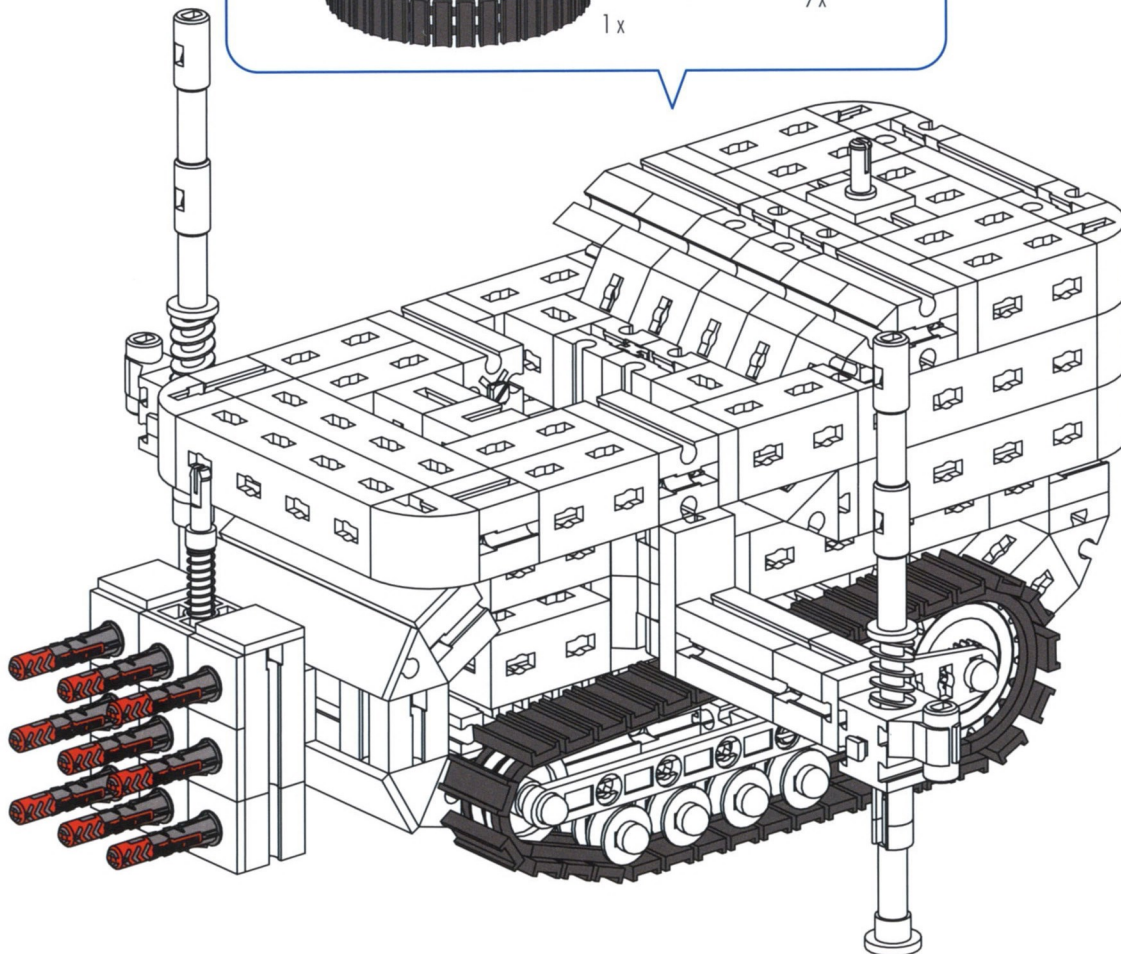
39



1x

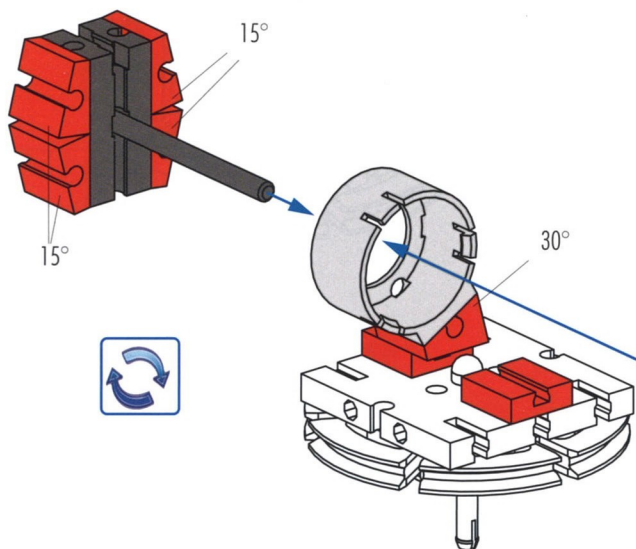
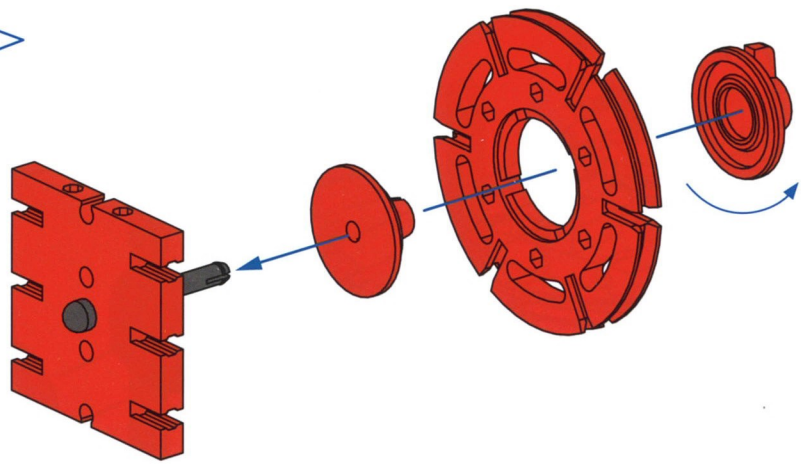


9x



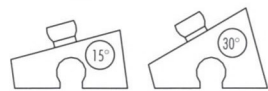
40

- 1x [Red 3-hole Technic plate]
- 1x [Red 12-hole Technic ring]
- 1x [Black axle]
- 1x [Red 1-hole Technic bush]
- 1x [Red 2-hole Technic bush]



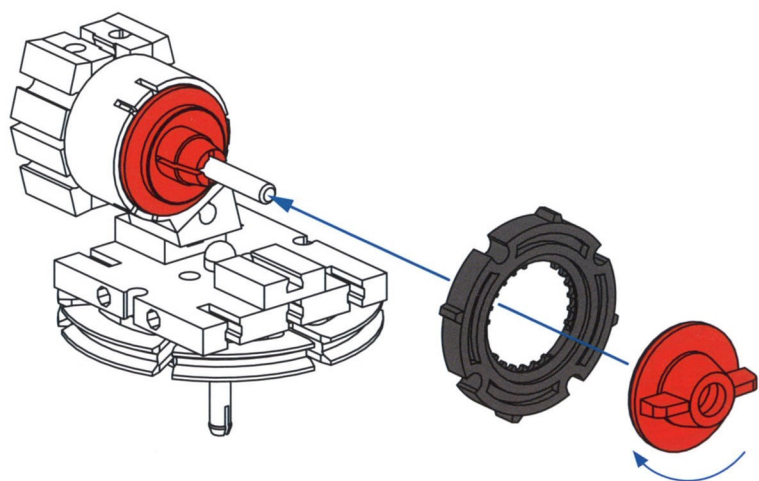
41

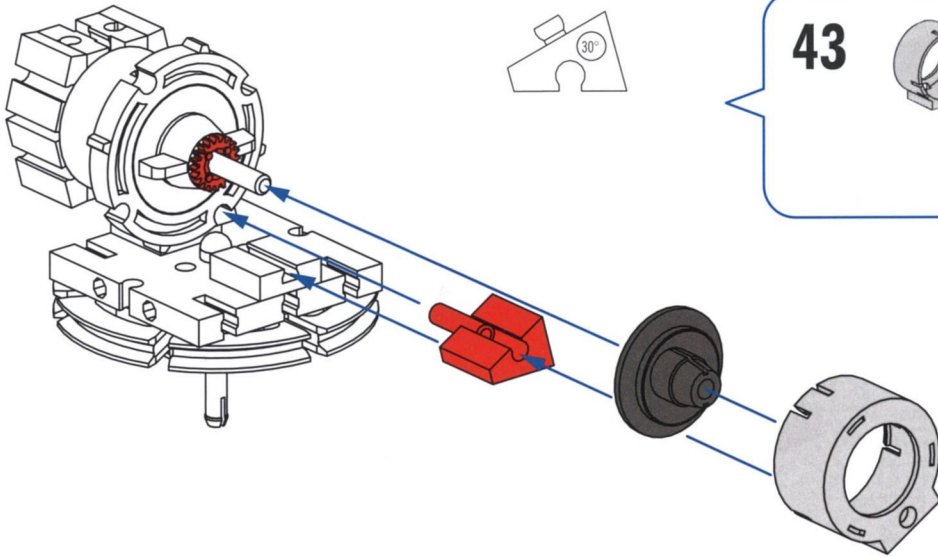
- 1x [Black Technic axle]
- 1x [Grey Technic ring]
- 1x [Red 1-hole Technic bush]
- 1x [Red 2-hole Technic bush]
- 4x [Red 15-degree Technic wedge]
- 2x [Red 30-degree Technic wedge]
- 1x [Black Technic bush]








42









- 1x [Black Technic ring]
- 1x [Red 1-hole Technic bush]
- 1x [Red 2-hole Technic bush]

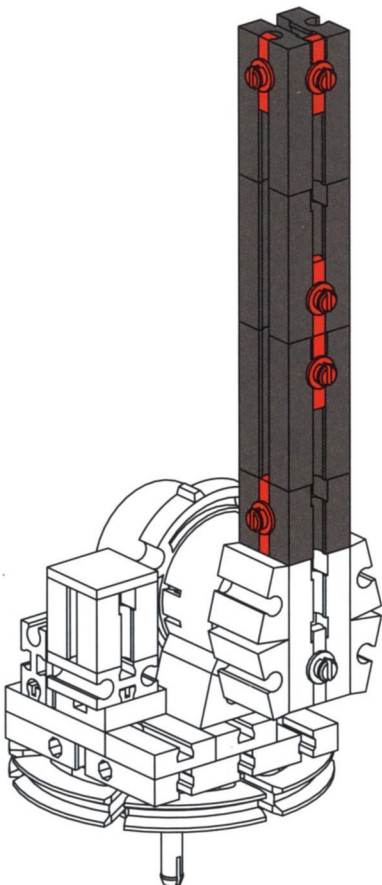
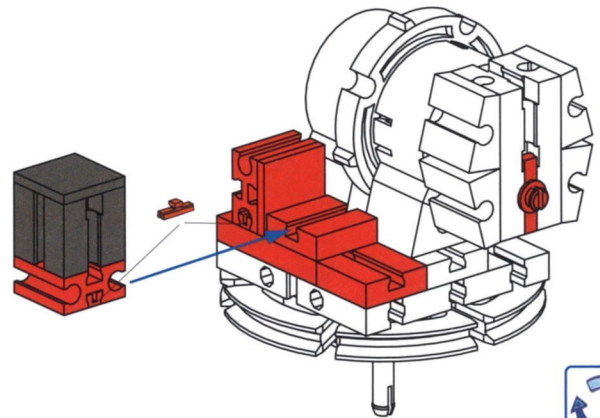




43

- 1x 
- 1x 
- 1x 
- 1x 
- 1x 

- 44
- 1x 
 - 2x 
 - 2x 
 - 1x 
 - 1x 
 - 1x 
 - 2x 
 - 1x 

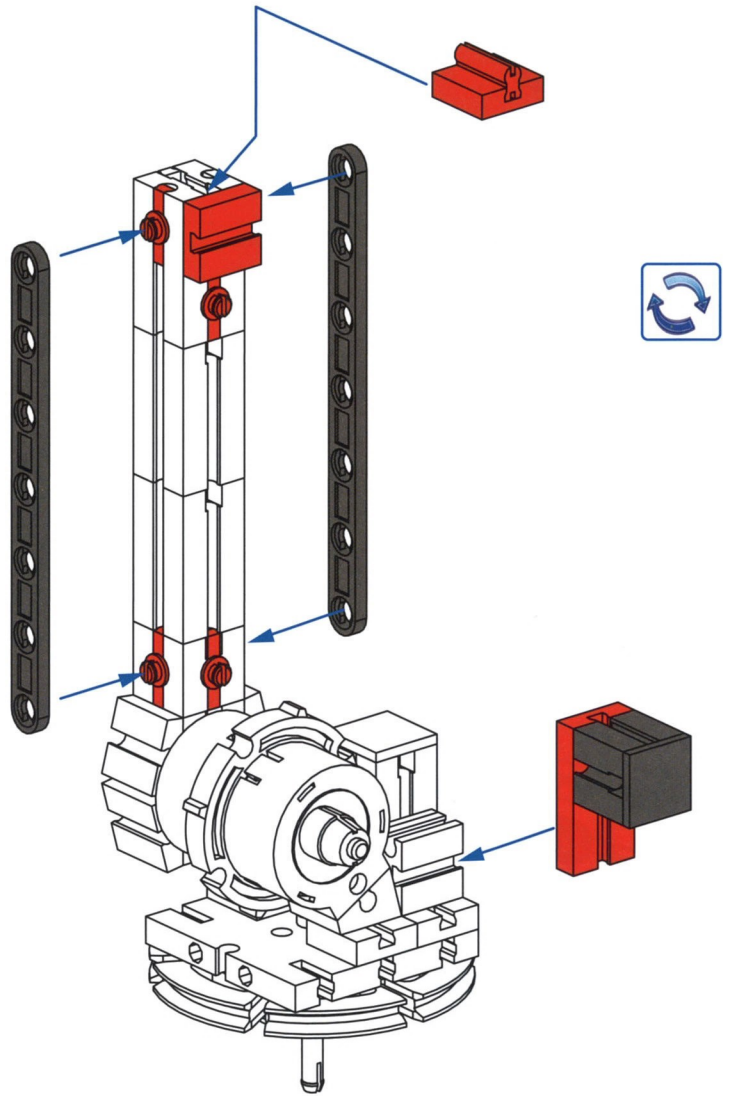


45

- 3x 
- 1x 
- 5x 

46

- 1 x [Black 2-hole Technic brick]
- 1 x [Red 1-hole Technic brick]
- 2 x [Red 1-hole Technic brick]
- 1 x [Black 1-hole Technic brick]
- 4 x [Red 1-hole Technic pins]
- 2 x [Black 90-hole Technic axle]
- 1 x [Red 15-hole Technic axle]



Große Bohrung
 Large drilling
 Alésage large
 Grote boring
 Perforación grande
 Orificio grande
 Grande foro
 Большое отверстие
 大孔

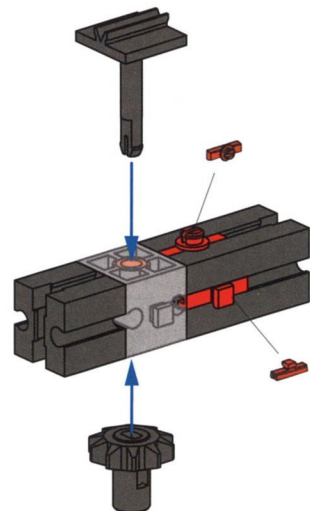
A diagram showing a red pin being inserted into a large hole in a black Technic brick. The hole is significantly larger than the standard Technic hole.

47

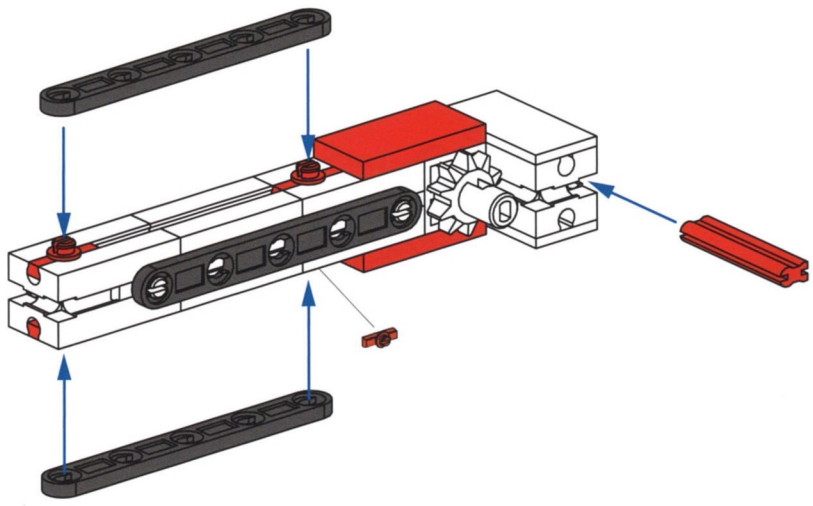
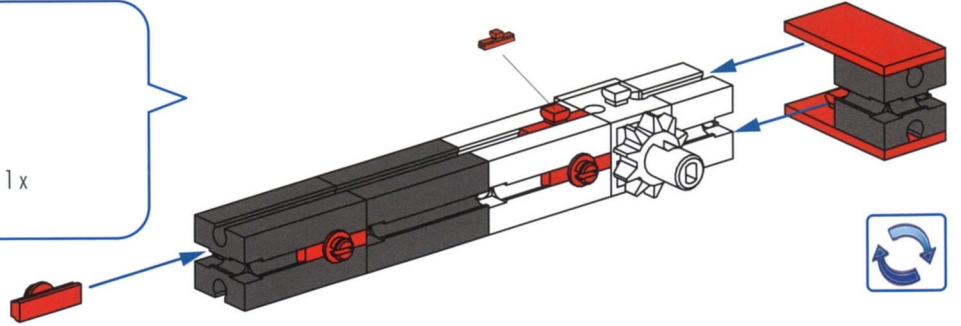
- 1 x [Black 2-hole Technic brick]
- 1 x [Red 1-hole Technic pin]

48

- 1 x [Black 2-hole Technic brick]
- 1 x [Black 2-hole Technic brick]
- 1 x [Red 1-hole Technic pin]
- 1 x [Red 1-hole Technic pin]
- 1 x [Black 1-hole Technic pin]
- 1 x [Black 1-hole Technic pin]



- 49**
- 2x [Black Technic Beam 1x5]
 - 1x [Black Technic Beam 1x3]
 - 2x [Red Technic Pin with Friction Ridge]
 - 3x [Red Technic Pin with Friction Ridge]
 - 1x [Red Technic Pin with Friction Ridge]

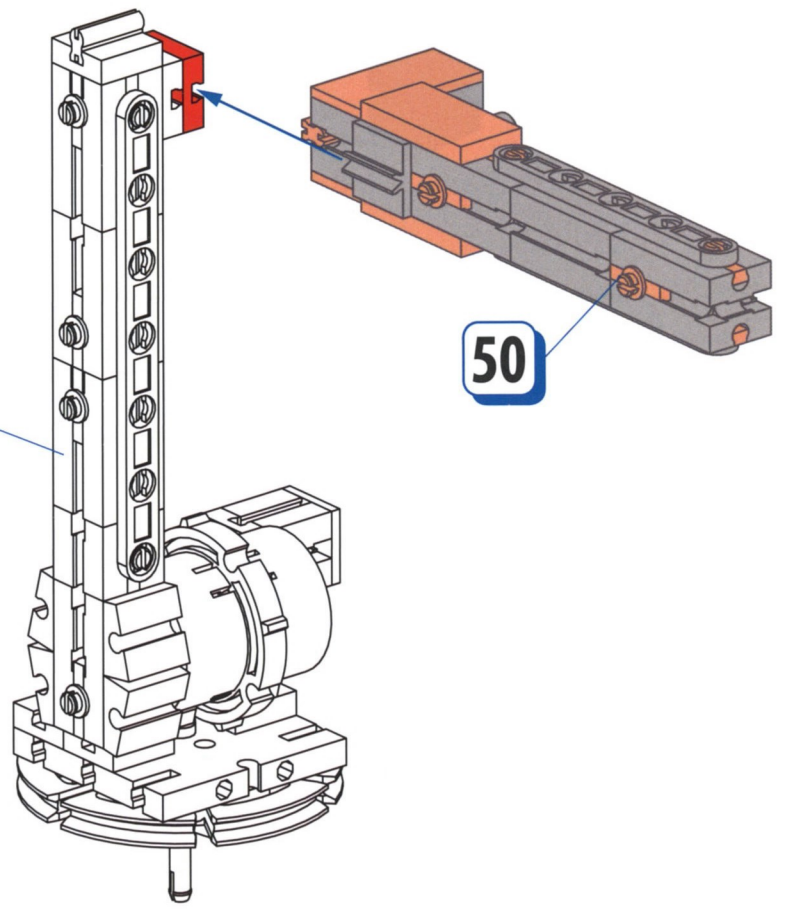



- 50**
- 2x [Red Technic Pin with Friction Ridge]
 - 1x [Red Technic Pin with Friction Ridge]
 - 4x [Red Technic Pin with Friction Ridge]
 - 1x [Red Technic Pin with Friction Ridge]
 - 3x [Black Technic Beam 1x60]

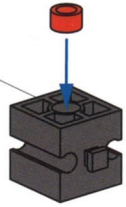
- 51**
- 1x [Red Technic Pin with Friction Ridge]

46

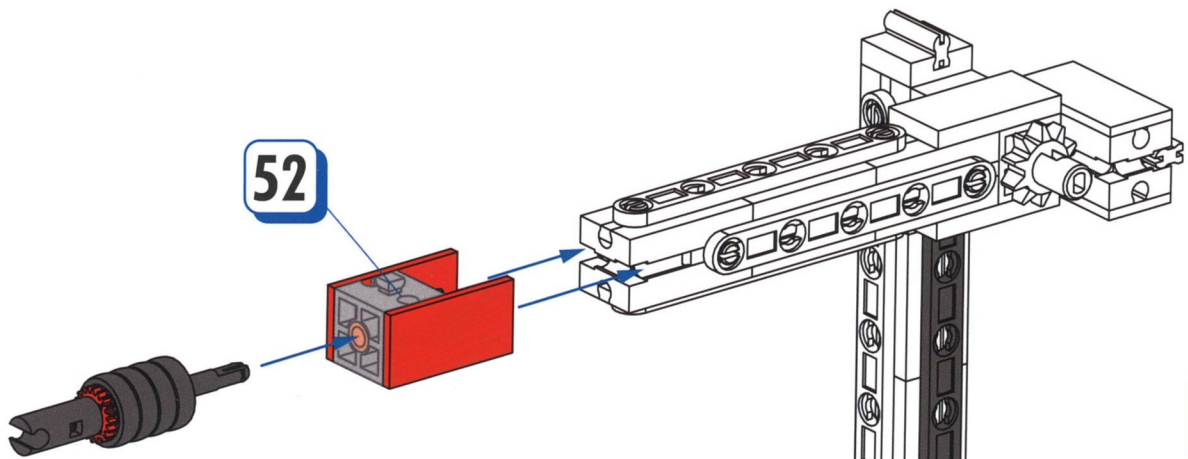
50








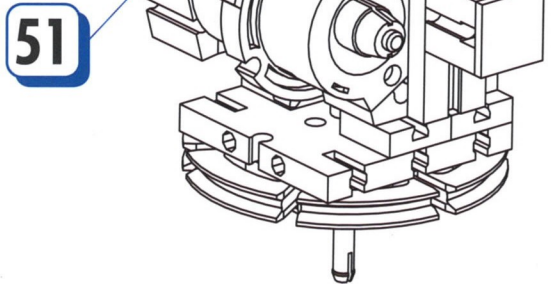

 Große Bohrung
 Large drilling
 Alésage large
 Grote boring
 Perforación grande
 Orificio grande
 Grande foro
 Большое отверстие
 大孔



52  1x  1x



53  2x  4x  1x
 45 1x  75 1x

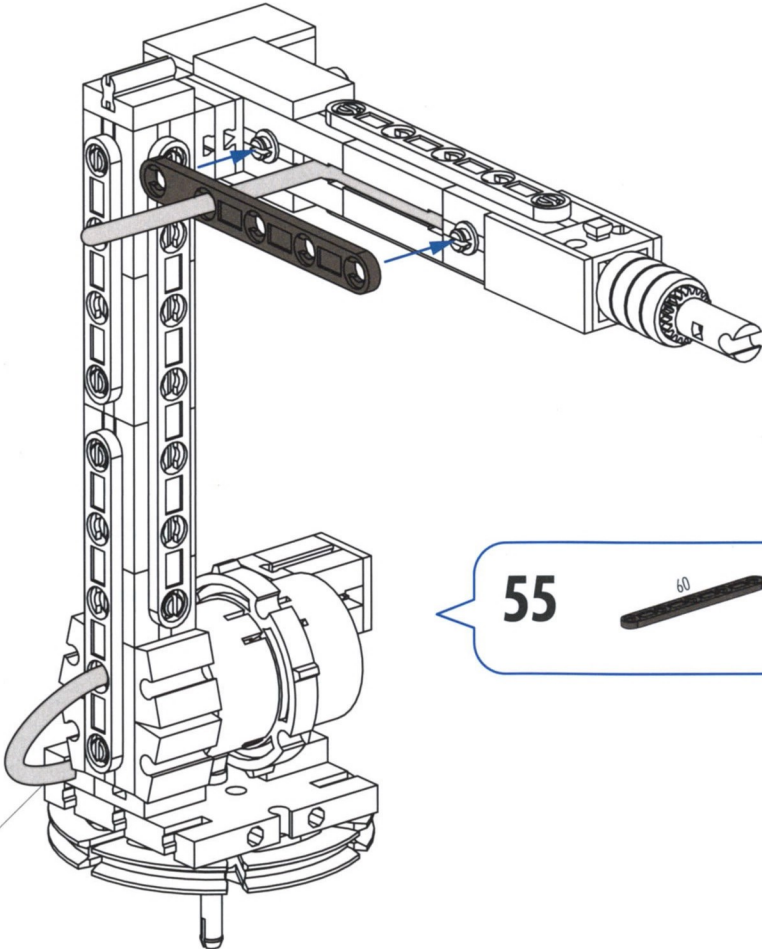
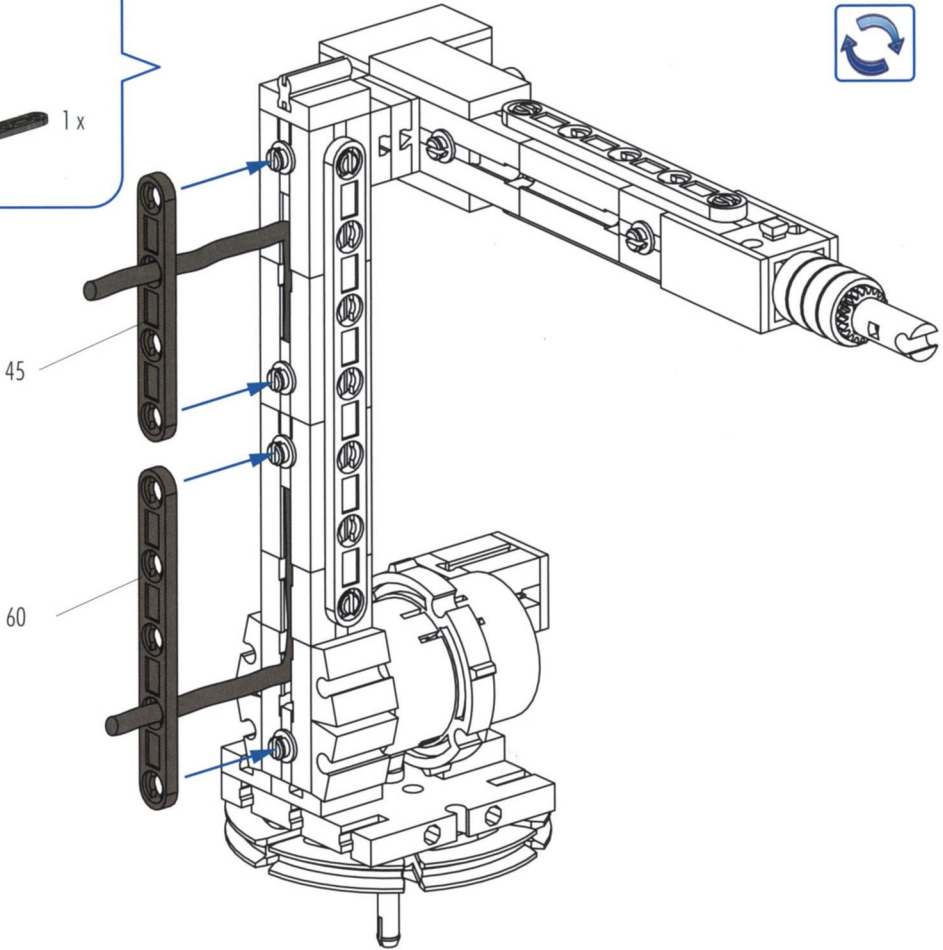


54

2 x

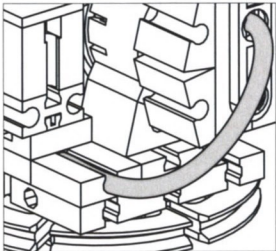
45 1 x

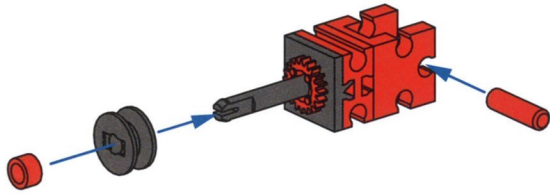
60 1 x



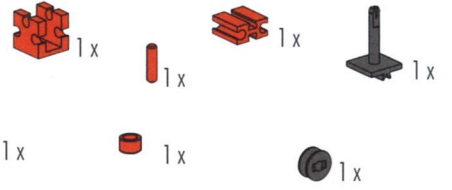
55


60 1 x

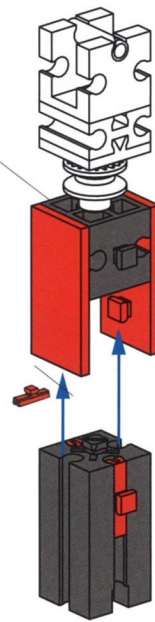




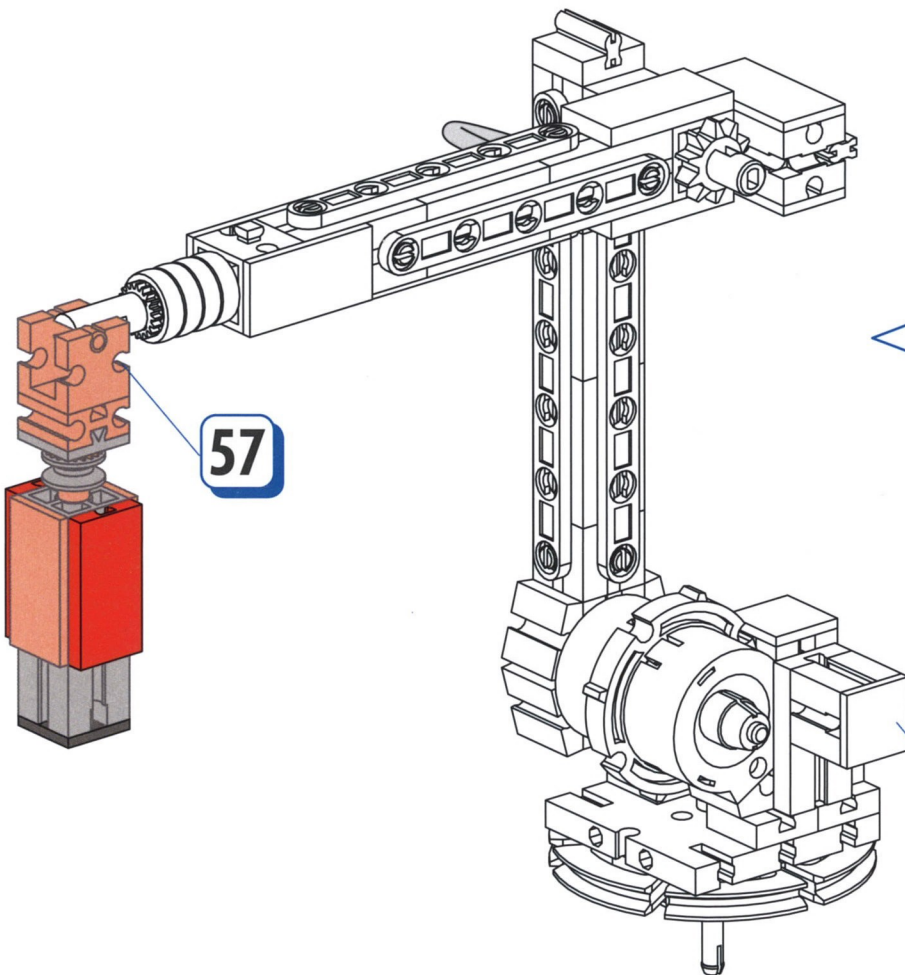
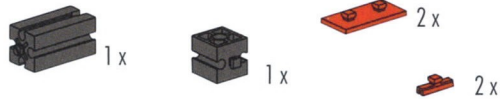
56




 Große Bohrung
 Large drilling
 Alésage large
 Grote boring
 Perforación grande
 Orificio grande
 Grande foro
 Большое отверстие
 大孔



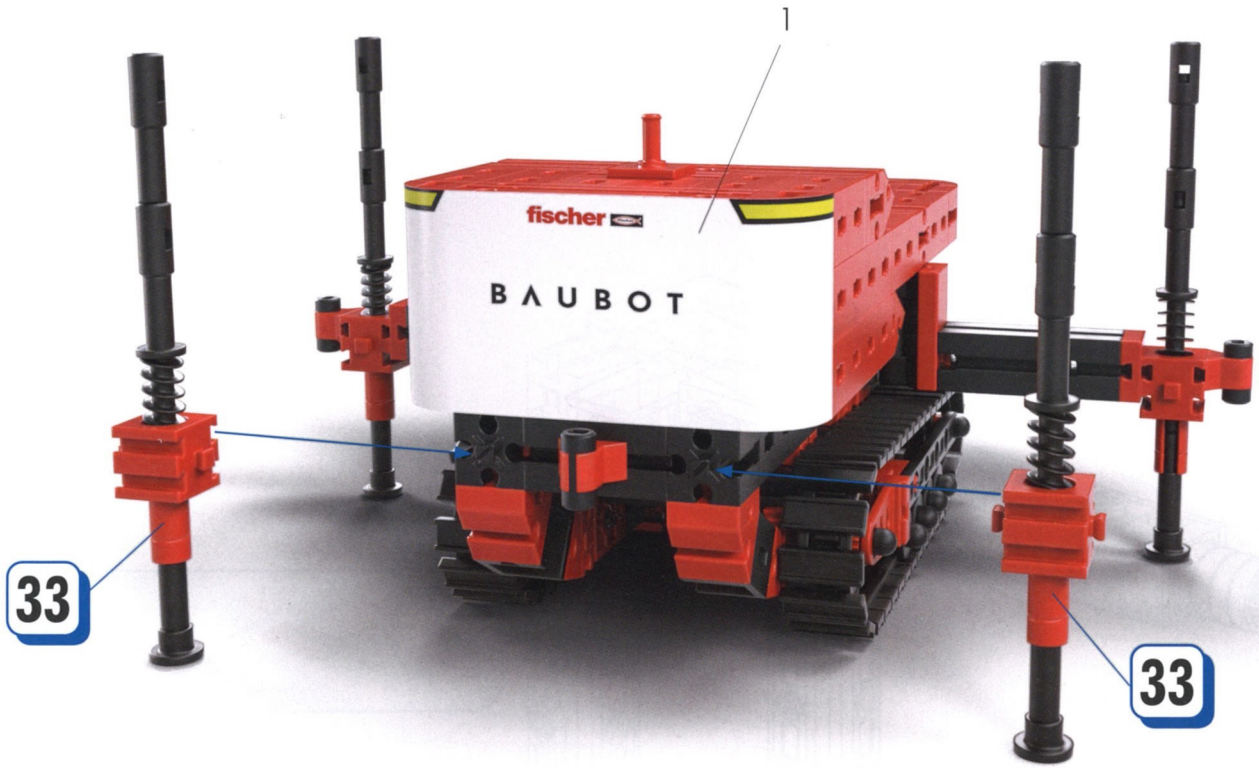
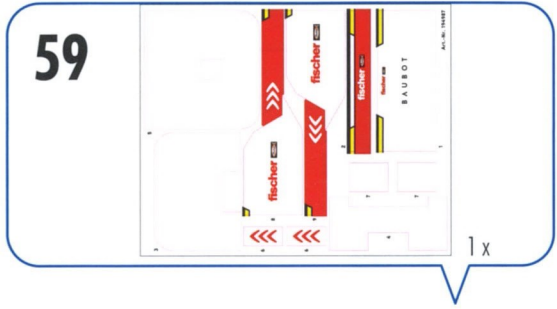
57



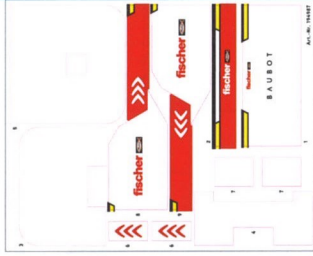
58



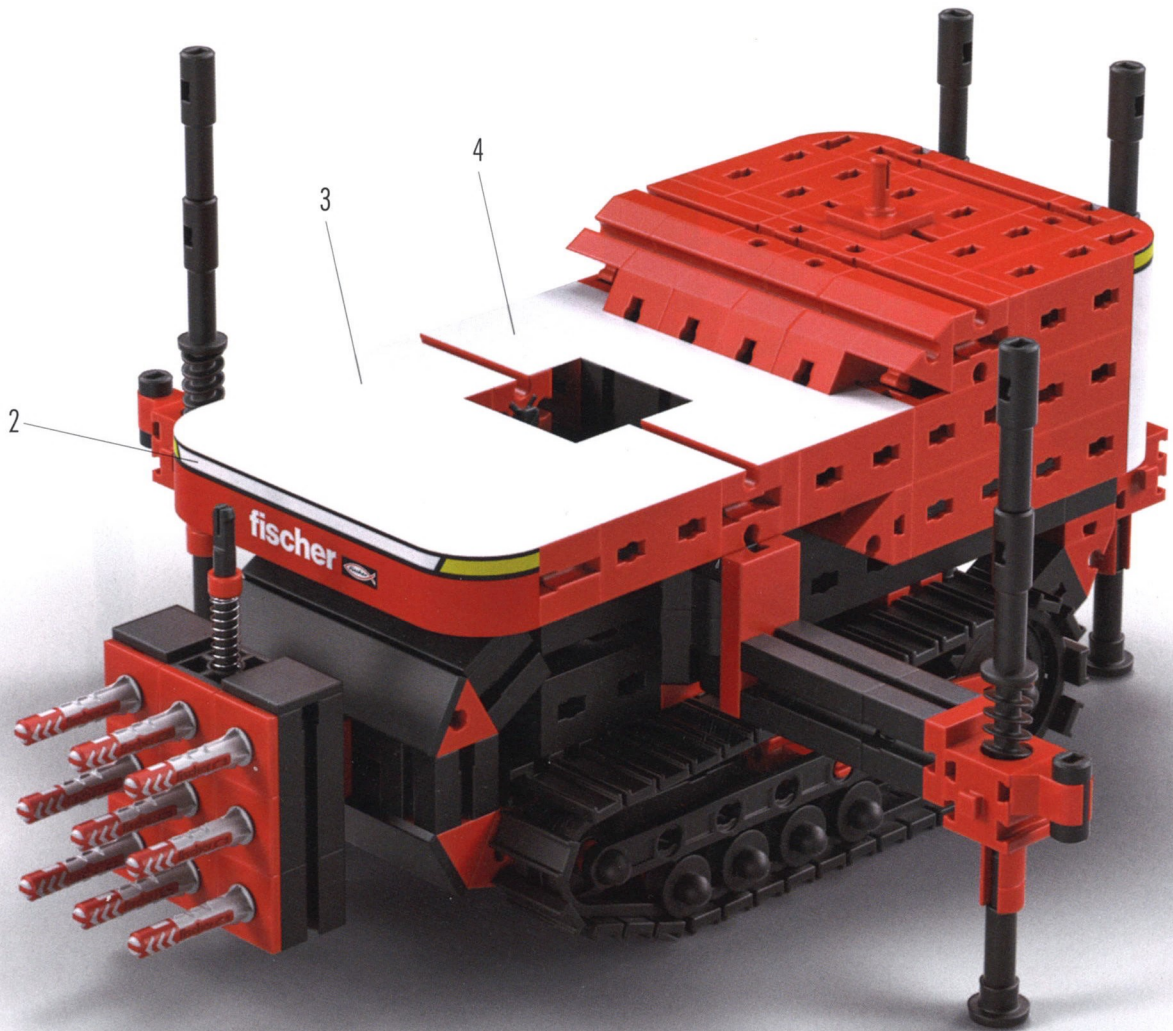
55



60



1x



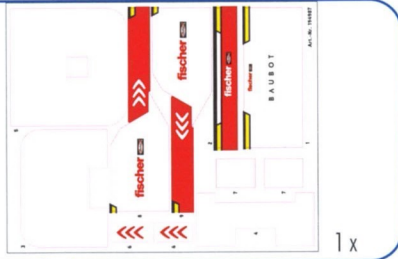
61



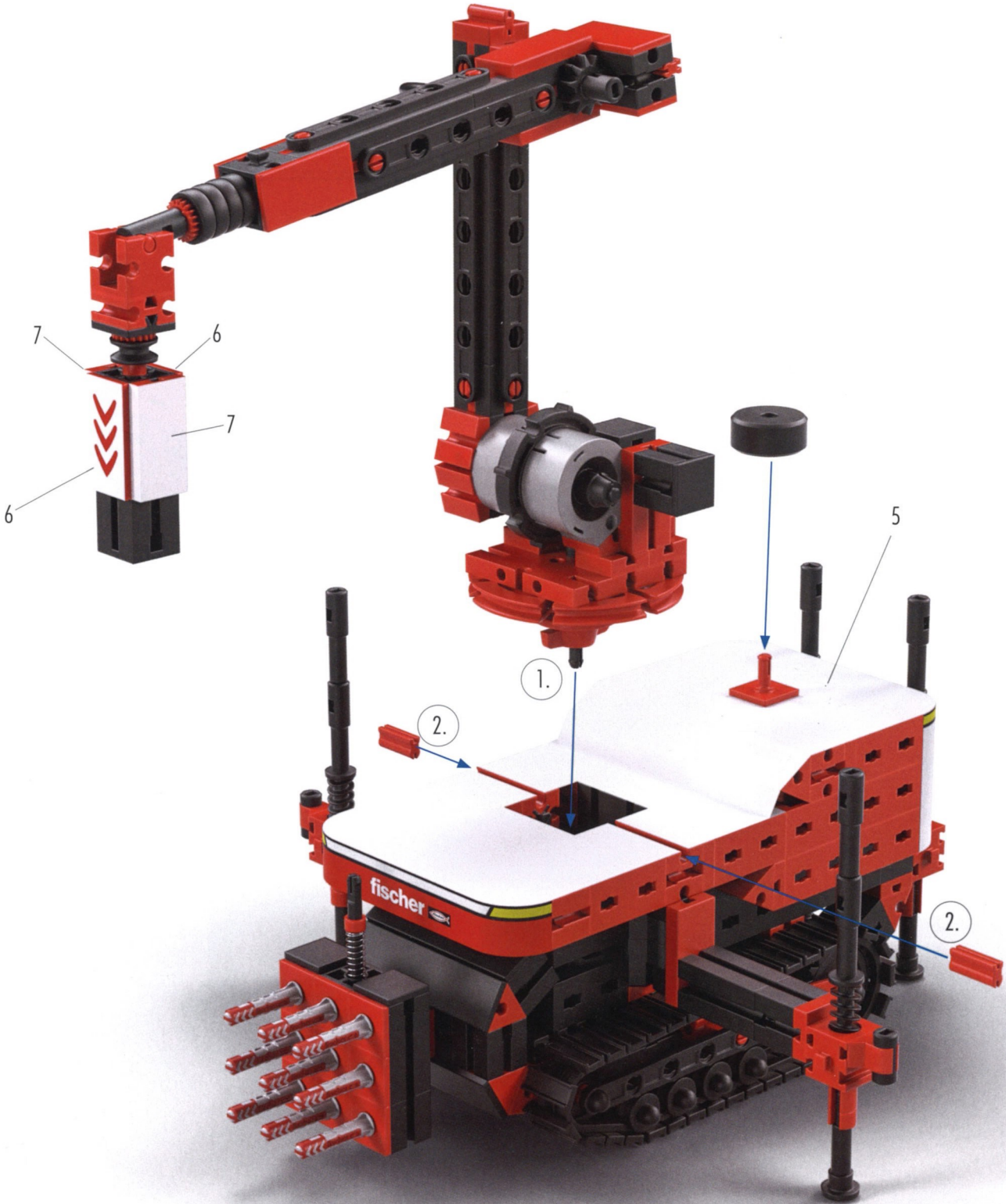
1 x

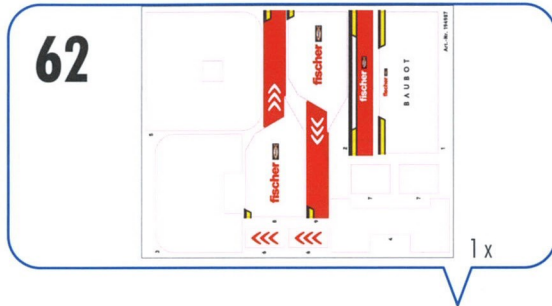


2 x



1 x











BAUBOT

fischertechnik GmbH

Klaus-Fischer-Str. 1
72178 Waldachtal
Germany

Phone: +497443/12-4369

Fax: +497443/12-4591

info@fischertechnik.de
www.fischertechnik.de

www.fischertechnik.de